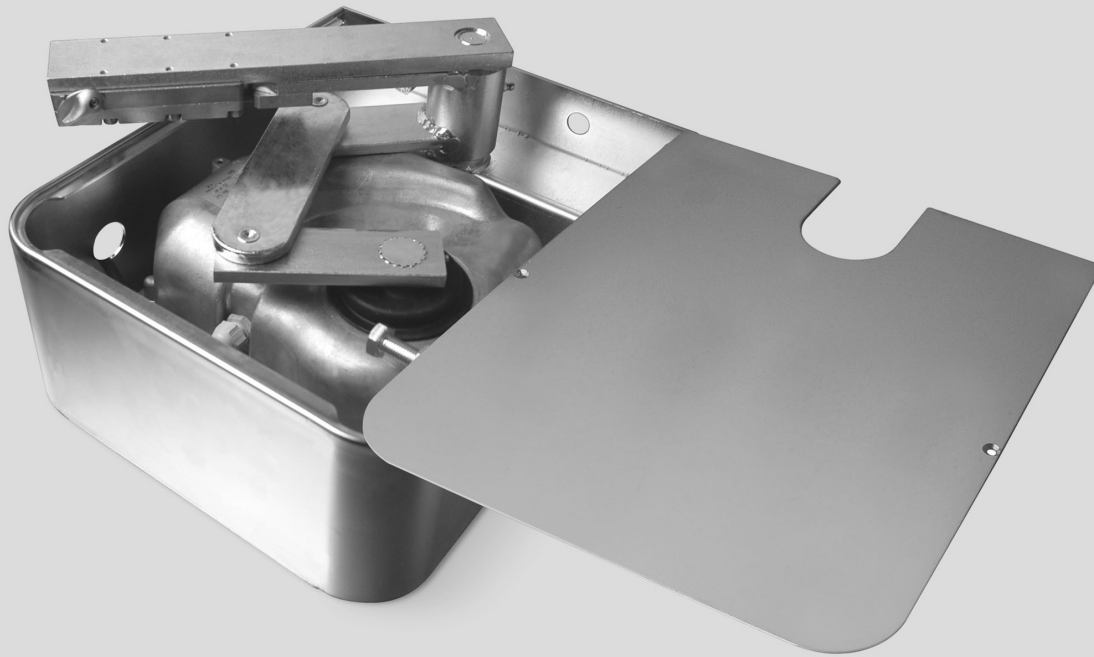


CE

For swing gates



Metro

Instructions and warnings for the fitter

Istruzioni ed avvertenze per l'installatore

Instructions et recommandations pour l'installateur

Anweisungen und Hinweise für den Installateur

Instrucciones y advertencias para el instalador

Instrukcje i uwagi dla instalatora

Instructies en waarschuwingen voor de gebruiker

COMPANY
WITH QUALITY SYSTEM
CERTIFIED BY DNV
=ISO 9001/2000=

Nice

Warnings

This manual contains important information regarding safety. Before you start installing the components, it is important that you read all the information contained herein. Store this manual safely for future use.

Due to the dangers which may arise during both the installation and use of the METRO, installation must be carried out in full respect of the laws, provisions and rules currently in force in order to ensure maximum safety. This chapter provides details of general warnings. Other, more specific warnings are detailed in Chapters “2.1 Preliminary Checks” and “5 Testing and Commissioning”.

According to the most recent European legislation, the production of automatic doors or gates is governed by the provisions listed in Directive 98/37/CE (Machine Directive) and, more specifically, to provisions: EN 12445, EN 12453 and EN 12635, which enable manufacturers to declare the presumed conformity of the product.

Please access “www.niceforyou.com” for further information, and guidelines for risk analysis and how to draw up the Technical Documentation.

- This manual has been especially written for use by qualified fitters. Except for the enclosed specification “Instructions and Warnings for Users of the METRO gearmotor” which is to be removed by the installer, none of the information provided in this manual can be considered as being of interest to end users!
- Any use or operation of METRO which is not explicitly provided for in these instructions is not permitted. Improper use may cause damage and personal injury.
- Risk analysis must be carried out before starting installation, to include the list of essential safety requisites provided for in Enclosure I of the Machine Directive, indicating the relative solutions employed.

N.B. Risk analysis is one of the documents included in the “Technical Documentation” for this automation.

- Check whether additional devices are needed to complete the automation with METRO based on the specific application requirements and dangers present. The following risks must be considered: impact, crushing, shearing, dragging, etc. as well as other general dangers.
- Do not modify any components unless such action is specified in this manual. Operations of this type are likely to lead to malfunctions. NICE disclaims any liability for damage resulting from modified products.
- During installation and use, ensure that solid objects or liquids do not penetrate inside the control unit or other open devices. If necessary, please contact the NICE customer service department; the use of METRO in these conditions can be dangerous.
- The automation system must not be used until it has been commissioned as described in chapter 5: “Testing and commissioning”.
- The packing materials of METRO must be disposed of in compliance with local regulations.
- If a fault occurs that cannot be solved using the information provided in this manual, refer to the NICE customer service department.
- In the event that any automatic switches are tripped or fuses blown, you must identify the fault and eliminate it before resetting the switches or replacing fuses.
- **Before accessing the METRO connection terminals, disconnect all power circuits.** If the disconnection device is not identifiable, post the following sign on it: “WARNING: MAINTENANCE WORK IN PROGRESS”.

1) Product Description

METRO is a gearmotor designed for the automation of single-leaf or double-leaf gates.

⚠ Any applications other than those described above or under different conditions from those specified in this manual are forbidden.

METRO operates with electric power. In the event of a power failure, the gearmotor can be released using suitable keys in order to move the leaves manually.

2) Installation

2.1) Preliminary Checks

Before proceeding with the installation, make sure that the structure is suitable and that it complies with the regulations in force. In particular, you need to make sure that:

- there are no points of friction in the opening and closing travel of the gate;
- the gate is well balanced, i.e., once it is stopped in any position it should not show a tendency to start moving again;
- the gate opens and closes smoothly and noiselessly;
- the area selected for gearmotor installation enables easy and safe manual manoeuvring;

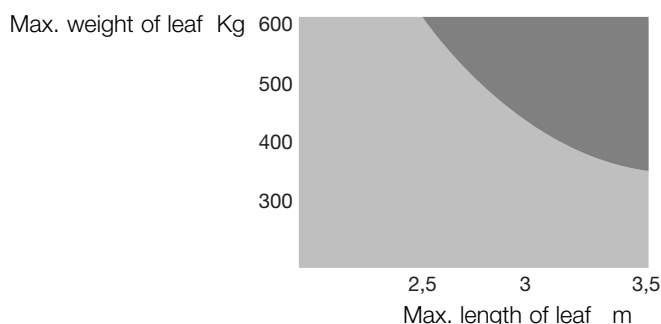
- check the integrity of the package
- make sure that the mounting area is compatible with the dimensions of the box (**fig.1**)
- provide a closing strike and, if possible, also an opening strike.

⚠ Please keep in mind that METRO is designed to drive an efficient, safe gate (with one or two leaves), and is not intended to make up for defects resulting from improper installation or poor maintenance.

2.2) Operating Limits

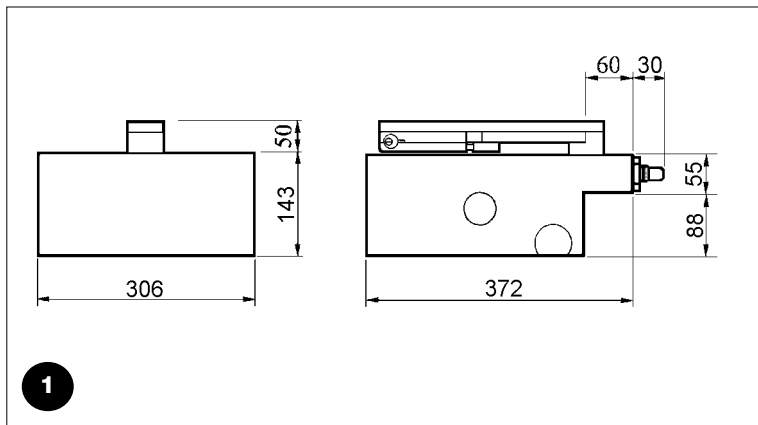
The shape and height of the gate (e.g. blind) and the weather conditions (e.g. strong winds) may significantly reduce the values shown in the chart.

* If any of the gate leaves is wider than 2.5 metres, we recommend the installation of an electric lock (PLA10 or PLA11).

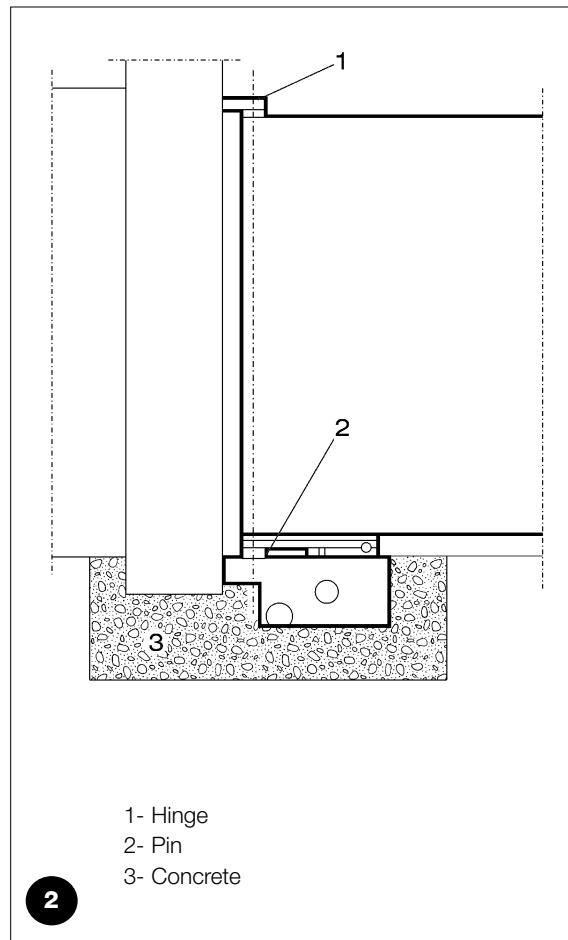


3) Mounting

3.1) Overall Dimensions and Positioning of Foundation Box



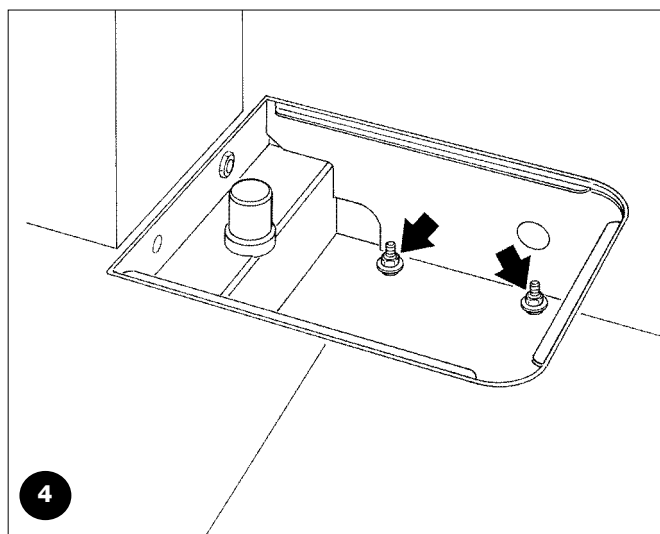
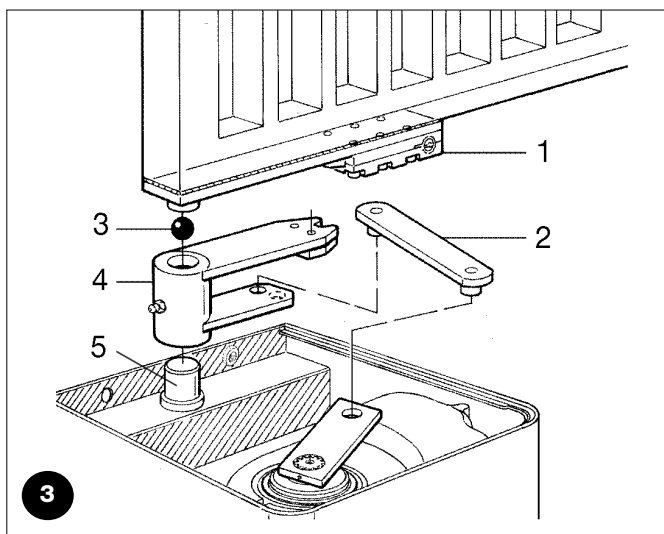
1. Excavate the foundation hole based on the overall dimensions; provide good drainage in order to prevent water stagnation.
2. Fasten the accessory for the opening limit switch to the box (see paragraph 4), carefully observing the directions and measurements shown in the figure to avoid incorrect installation
3. Place the box inside the foundation hole; the stud must be aligned with the axis of the hinge (**fig. 2**)
4. Provide a duct for the electrical cables and a drainage pipe.
5. Bury the foundation box in concrete, making sure it is set level.
6. Mount the control bracket on the box's stud along with the ball.
7. Set the gate leaf on the release lever and weld them securely.
8. Grease using a suitable grease nozzle.



- 1- Hinge
- 2- Pin
- 3- Concrete

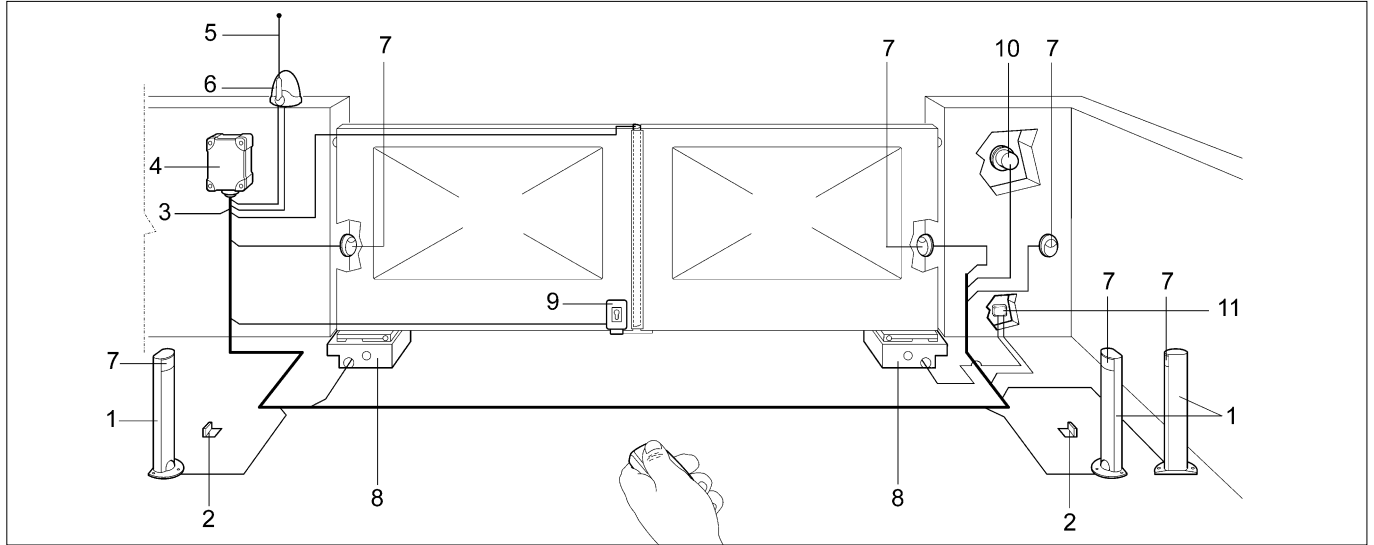
3.2) Installation of METRO Gearmotor

1. Remove the nuts and washers shown in the figure on the right (**fig. 4**).
2. Place the gearmotor inside the foundation box making sure it faces the correct direction.
3. Slide the bracket for the closing limit switch into the appropriate hole (paragraph 4).
4. Secure the gearmotor using the grower washers and the 4 self-locking nuts found in the accessories box.
5. Connect the gearmotor to the gate by means of the connecting lever (2) (**fig. 3**).



- 1 Release lever
- 2 Connecting lever
- 3 Ball
- 4 Control bracket
- 5 Pin

3.3) Typical System



- | | | |
|-------------------------------------|----------------------------|--|
| 1 Photocell post. | 5 Aerial. | 9 Vertical electric lock. |
| 2 Pair of opening stops. | 6 Flashing light. | 10 Key-operated selector switch or digital keypad. |
| 3 230V line. | 7 Photocell. | 11 Connector block (not supplied). |
| 4 Control panel (electrical panel). | 8 Box with METRO actuator. | |

3.4) Electrical Connections

For ME3000 and ME3010 connect the cables as follows:

- Black = "open" phase
- Brown = "close" phase
- Grey = Common
- Yellow/Green = ⊕

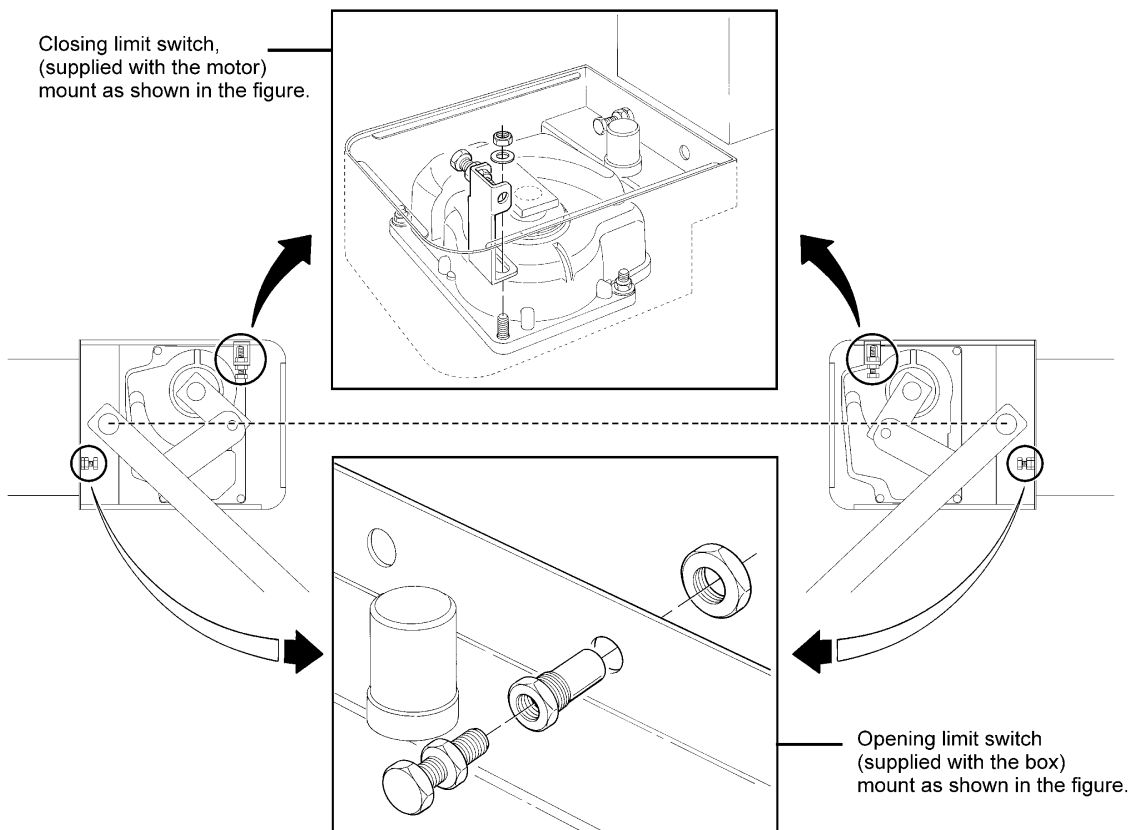
For ME3024 connect the cables as follows:

- Blue = Motor power supply
- Brown = Motor power supply
- Black = Encoder
- Grey = Encoder
- Yellow/Green = ⊕

⚠ The motors are equipped with a 2-meter cable.

Making junctions inside the box IS FORBIDDEN. For any connections use only the appropriate connector block (not included) in order to ensure the safety of the system.

4) Position of Limit Switches



5) Testing and commissioning

Testing of the entire system must be conducted by experienced and qualified personnel, who must establish what tests are necessary depending on the risks involved. To test METRO proceed as follows:

- close the gate;
- disconnect the power supply to the control unit;
- release the gearmotor from the gate leaf as shown in paragraph "Manual release device (Key and Lever-Operated Release)" in Chapter "Instructions and Warnings for Users of the METRO Gearmotor".
- open the gate manually all the way;
- make sure the gate opens and closes smoothly without any points of friction;
- make sure that the gate, when stopped in any position and

released, does not display a tendency to start moving again;

- make sure that the safety systems and mechanical stops are in good working order;
- make sure that the screw connections are properly tightened;
- clean the inside of the box and make sure that the drain operates properly;
- when all the checks have been completed, re-connect the gearmotor and power the control unit;
- METRO is not equipped with any torque adjustment device, therefore this operation is performed by the control unit;
- measure the impact force as provided by the EN12453 and EN12445 standards.

6) Maintenance

METRO does not require any special maintenance; however, routine checks conducted every six months at least will ensure the long life of the gearmotor as well as the correct and safe operation of the system.

Maintenance consists simply in repeating the testing procedure.

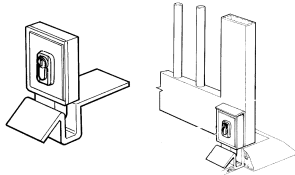
6.1) Disposal

METRO is made out of various types of materials, which must be disposed of in compliance with the regulations locally in force. The system can be dismantled and scrapped without any risks arising out of the automation itself.

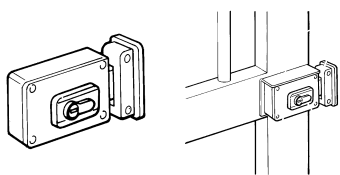
If sorted waste disposal is required, the materials should be separated according to their type (electrical, aluminium, plastic parts, etc.).

7) Accessories On Request

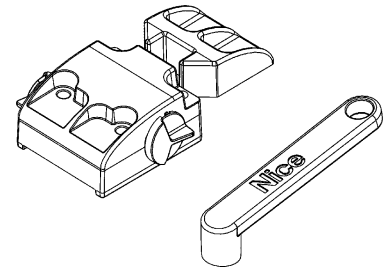
PLA10 Vertical electric lock 12 Vac



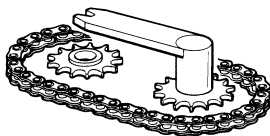
PLA11 Horizontal electric lock 12 Vac



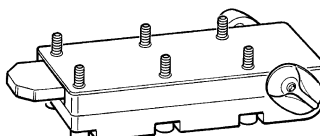
MEA3 Lever-operated release mechanism



MEA1 360° opening device



MEA2 Key-operated release mechanism



8) Technical Characteristics

Nice S.p.a., in order to improve its products, reserves the right to modify their technical characteristics at any time without prior notice. In any case, the manufacturer guarantees their functionality and fitness for the intended purposes. All the technical characteristics refer to a room temperature of 20°C (±5°C).

Models and Characteristics

	Unit of measurement	ME3000	ME3010	ME3000L	ME3000/110	ME3024
Power supply	(Vac-Hz)	230V-50Hz	230V-50Hz	230V-50Hz	110V-60Hz	
	(Vdc)					24
Absorbed current	(A)	1.2	1.2	1.3	2.4	5
Absorbed power	(W)	250	250	300	250	120
Incorporated capacitor	(uF)	10	10	10	30	
Protection class	(IP)	67	67	67	67	67
Speed	(Rpm)	1.14	1.14	0.8	1.4	1.4
Torque	(Nm)	300	300	250	300	250
Operating temperature	(°C Min/Max)	-20° ÷ +50°	-20° ÷ +50°	-20° ÷ +50°	-20° ÷ +50°	-20° ÷ +50°
Thermal protection	(°C)	140°	140°	140°	140°	
Work cycle	(%)	30	40	30	30	80
Weight	(Kg)	11	11.5	11	11	11

Congratulations on choosing a Nice product for your automation system!

Nice S.p.A. produces components for automating gates, doors, shutters and awnings: gear motors, control units, radio control units, flashing lights, photocells and accessories.

Nice only uses first rate materials and production processes and constantly develops innovative technical, aesthetic and ergonomic solutions in order to make its products as simple to use as possible: your fitter will certainly have chosen the most suitable article for your requirements from the large range of Nice products. Nice however, is not the producer of your automated system as this is the result of a process of analysis, evaluation, choice of materials and installation performed by your fitter.

Each automated system is unique and only your fitter has the experience and professionalism required to create a system that is tailor-made to your requirements, featuring long-term safety and reliability, and, above all, professionally installed and compliant with current regulations.

An automated system is handy to have as well as being a valid security system. Just a few, simple operations are required to ensure it lasts for years.

Even if your automated system satisfies regulatory safety levels, this does not eliminate "residue risks", that is, the possibility of dangerous situations being generated, usually due to irresponsible or incorrect use. For this reason we would like to give you some suggestions on how to avoid these risks:

- **Before using your automated system** for the first time, ask your fitter to explain how residue risks can arise and spend a few minutes reading the **instructions and warnings for the user** handbook that the fitter will have given you. Keep this manual for future use and, if you should ever sell your automated system, hand it over to the new owner.

- **Your automated system is a machine which carries out your commands to the letter;** irresponsible or incorrect use may cause it to become dangerous: do not move the automated system if animals or objects are in its working radius.

- **Children:** an automated system ensures a high level of safety as it always offers reliable and safe operation and its detection systems stop it from moving in the presence of people or objects. However, children should not be allowed to play near it. Do not let them accidentally use the system by leaving the remote control unit within their reach: **it is not a toy!**

- **Faults.** If you notice any abnormal behaviour, disconnect the system from the electricity supply immediately and perform the manual release operation. Do not attempt to make repairs yourself but call in your fitter: in the meantime the system can work as a non-automated gate once the gear motor has been released as described further on.

- **Maintenance.** Just like all machines, your automated system requires periodic maintenance to ensure it works as long as possible and in total safety. Agree on a routine maintenance plan with your fitter; Nice recommends a visit once every six months for normal residential use but this period can vary depending on how often the system is used. All controls, maintenance work or repairs may only be carried out by qualified personnel.

- Do not modify the system or its programming and adjustment parameters even if you think you can do it: your fitter is responsible for this.

- Final testing, routine maintenance and any repairs must be documented by the fitter and such documents kept by the owner of the system.

- **Disposal.** At the end of the life of the automatic system, make sure that it is demolished by qualified personnel and that the materials are recycled or disposed of according to local regulations.

- **In case of breakage** or during a power failure. While waiting for your fitter to call (or power to come on again if the system does not have buffer batteries), the system can be used just like any other manual opening system. To do this, perform the manual release operation: this can be done by the user and Nice has made it as easy as possible, without the need for tools or physical effort.

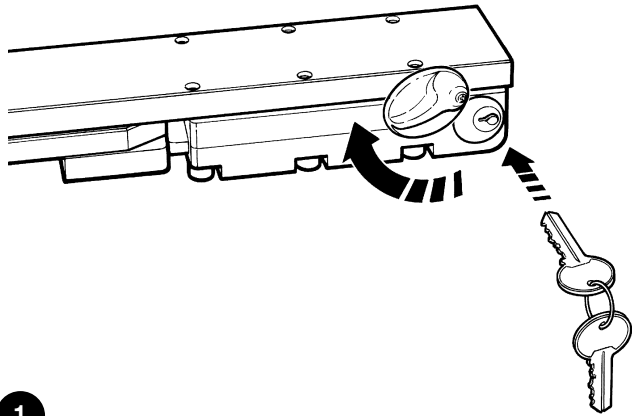
Manual Manoeuvre (Key and Lever-Operated Release)

Perform the manual operation in the event of a power failure or system malfunction.

MEA2 Type KEY-Operated Release (fig. 1)

- A Pull down the lock cover as shown in the figure.
- B Insert the key and rotate it 90° clockwise.
- C Move the gate manually (fig.3).

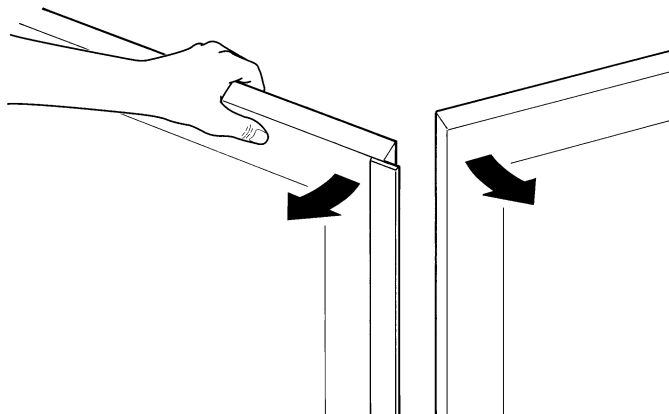
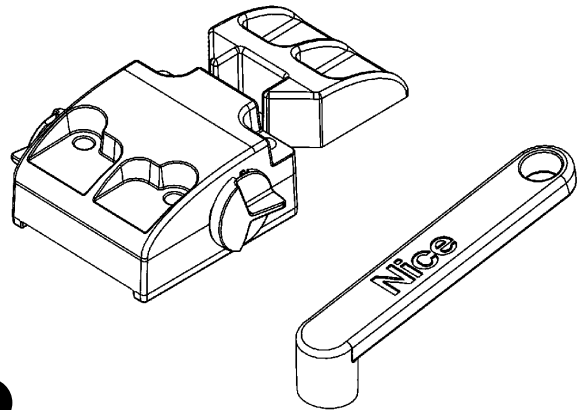
⚠ The system will revert to automatic operation upon the first electrical manoeuvre.



MEA3 Type Lever-Operated Release (fig. 2)

- A Pull down the lock cover as shown in the figure.
- B Insert the lever and rotate it 90° clockwise.
- C Move the gate manually (fig.3).

⚠ The system will revert to automatic operation upon the first electrical manoeuvre.



Are you satisfied? If you wish to add a new automated system to your house, contact your fitter and we at Nice will provide the advice of a specialist, the most developed products on the market, leading-edge operativeness and maximum compatibility.

Thank you for reading these suggestions and we trust you are fully satisfied with your new system: please contact your fitter for all your current or future requirements.

Avvertenze

Questo manuale di istruzioni contiene importanti informazioni riguardanti la sicurezza per l'installazione, è necessario leggere tutte le istruzioni prima di procedere all'installazione. Conservare con cura questo manuale anche per utilizzi futuri.

Considerando i pericoli che si possono verificare durante l'installazione e l'uso di METRO, per la massima sicurezza è necessario che l'installazione avvenga nel pieno rispetto di leggi, norme e regolamenti. In questo capitolo verranno riportate avvertenze di tipo generico; altre importanti avvertenze sono presenti nei capitoli "2.1 Verifiche preliminari"; "5 Collaudo e messa in servizio".

Secondo la più recente legislazione europea, la realizzazione di una porta o cancello automatico ricade in quanto previsto dalla Direttiva 98/37/CE (Direttiva Macchine) e nel particolare, alle norme: EN 12445; EN 12453 ed EN 12635, che consentono di dichiarare la presunzione di conformità.

Ulteriori informazioni, linee guida all'analisi dei rischi ed alla realizzazione del Fascicolo Tecnico, sono disponibili su: "www.niceforyou.com".

- Il presente manuale è destinato solamente al personale tecnico qualificato per l'installazione. Salvo lo specifico allegato da staccare a cura dell'installatore "Istruzioni ed avvertenze destinate all'utilizzatore del motoriduttore METRO" nessuna altra informazione contenuta nel presente fascicolo può essere considerata d'interesse per l'utilizzatore finale!
- L'uso di METRO diverso da quanto previsto in queste istruzioni è vietato; usi impropri possono essere causa pericoli o danni a persone e cose.
- Prima di iniziare l'installazione è necessario eseguire l'analisi dei rischi che comprende l'elenco dei requisiti essenziali di sicurezza previsti nell'allegato I della Direttiva Macchine, indicando le relative soluzioni adottate.

Si ricorda che l'analisi dei rischi è uno dei documenti che costituiscono il "fascicolo tecnico" dell'automazione.

- Verificare la necessità di ulteriori dispositivi per completare l'automazione con METRO in base alla specifica situazione d'impiego ed ai pericoli presenti; devono essere considerati ad esempio i rischi di impatto, schiacciamento, cesoiamento, convogliamento, ecc., ed altri pericoli in genere.
- Non eseguire modifiche su nessuna parte se non previste nelle presenti istruzioni; operazioni di questo tipo possono solo causare malfunzionamenti; NICE declina ogni responsabilità per danni derivati da prodotti modificati.
- Durante l'installazione e l'uso evitare che parti solide o liquidi possano penetrare all'interno della centrale e di altri dispositivi aperti; eventualmente rivolgersi al servizio di assistenza NICE; l'uso di METRO in queste situazioni può causare situazioni di pericolo
- L'automatismo non può essere utilizzato prima di aver effettuato la messa in servizio come specificato nel capitolo: "5 Collaudo e messa in servizio".
- Il materiale dell'imballaggio di METRO deve essere smaltito nel pieno rispetto della normativa locale.
- Nel caso di guasto non risolvibile facendo uso delle informazioni riportate nel presente manuale, interpellare il servizio di assistenza NICE.
- Qualora si verificano interventi di interruttori automatici o di fusibili, prima di ripristinarli è necessario individuare ed eliminare il guasto.
- **Prima di accedere ai morsetti delle connessioni di METRO scollegare tutti i circuiti di alimentazione;** se il dispositivo di sconnessione non è a vista apporvi un cartello: "ATTENZIONE MANUTENZIONE IN CORSO".

1) Descrizione prodotto

METRO è un motoriduttore destinato all'automazione di un cancello ad una o due ante battenti.

⚠ Ogni uso, diverso da quanto sopra descritto, e in condizioni diverse da quanto previsto nel presente manuale è vietato.

METRO funziona mediante energia elettrica, in caso di mancanza di alimentazione elettrica, è possibile sbloccare il cancello con apposite chiavi e muovere manualmente le ante.

2) Installazione

2.1) Verifiche preliminari

Prima di procedere all'installazione è necessario verificare che la struttura sia idonea, in altre parole, conforme alle norme vigenti ed in particolare verificare che:

- il cancello non presenti punti d'attrito sia in chiusura sia in apertura;
- il cancello sia ben bilanciato, ossia, una volta fermato in una qualsiasi posizione non accenni a riprendere il moto;
- il cancello, nella sua corsa, sia silenzioso e regolare;
- la zona individuata per il fissaggio del motoriduttore consenta una manovra manuale facile e sicura;
- la confezione sia integra

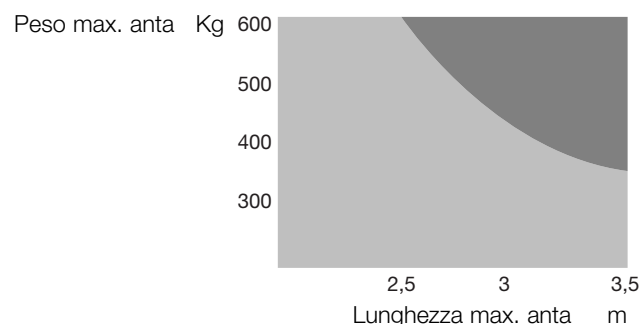
- verificare che la zona di fissaggio sia compatibile con l'ingombro della cassa (**fig.1**).
- prevedere una battuta di arresto in chiusura e possibilmente anche in apertura.

⚠ Si ricorda che METRO motorizza un cancello (ad una o due ante) di per sé efficiente e sicuro e non sopperisce a difetti causati da una sbagliata installazione, o da una cattiva manutenzione.

2.2) Limiti d'impiego

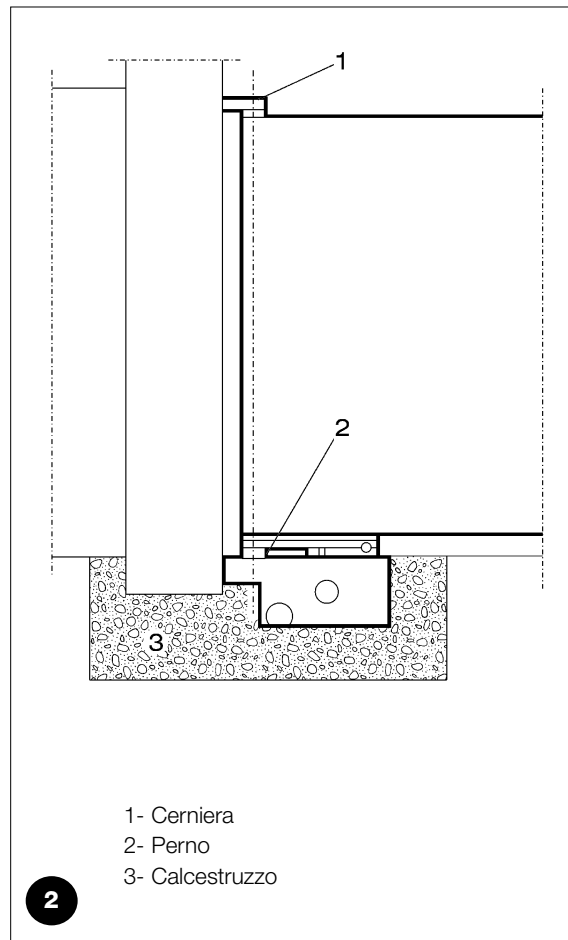
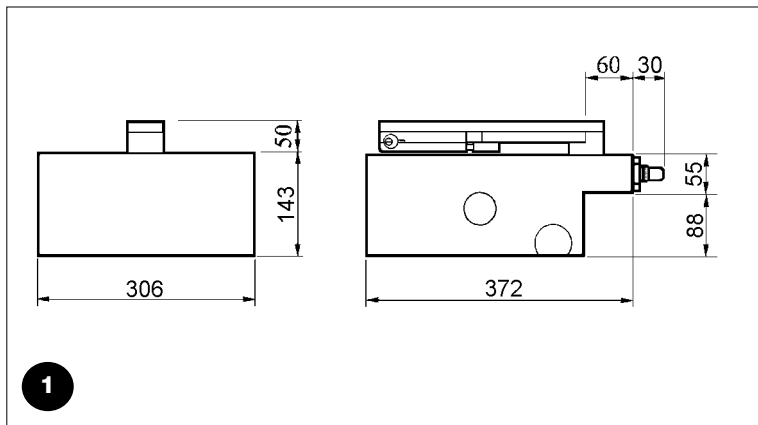
La forma, l'altezza del cancello (es. cieco) e le condizioni climatiche (es. vento forte) possono ridurre anche notevolmente i valori riportati nel grafico a lato.

* Qualora il cancello superi i 2,5 m di lunghezza per ogni singola ante, si consiglia di installare una serratura elettrica (PLA10 oppure PLA11).



3) Fissaggio

3.1) Dimensioni d'ingombro e posizionamento della cassa di fondazione

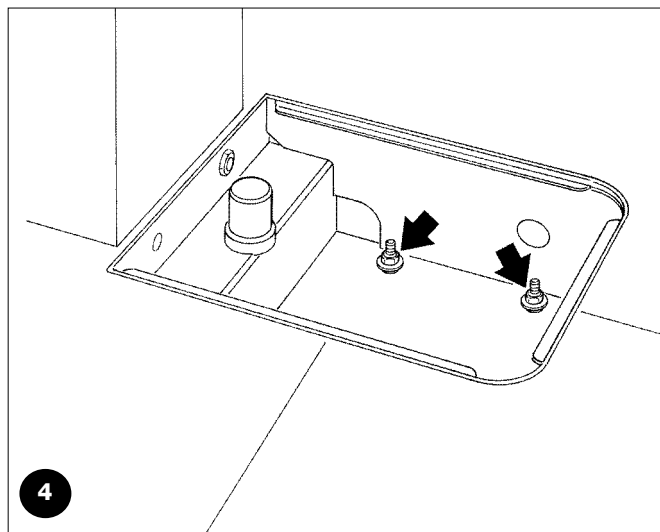
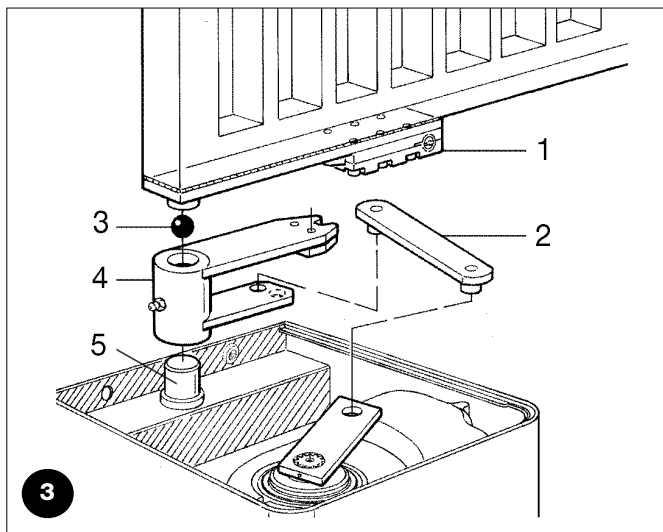


1. Eseguire in base alle dimensioni d'ingombro, uno scavo di fondazione, si consiglia di prevedere un buon drenaggio, in modo da evitare il ristagno dell'acqua.
2. Fissare alla cassa l'accessorio per il finecorsa di apertura (vedi paragrafo 4) seguendo attentamente le istruzioni da figura al fine di evitare un fissaggio errato
3. Collocare la cassa all'interno dello scavo, con il perno allineato all'asse della cerniera (es. **fig.2**)
4. Prevedere un condotto per i cavi elettrici ed uno per il drenaggio.
5. Annegare nel calcestruzzo la cassa di fondazione, curandone la messa in bolla ed il livello.
6. Inserire sul perno della cassa la staffa di comando, avendo cura di interporre la sfera in dotazione.
7. Appoggiare l'anta del cancello sulla leva di sblocco, e fissare con saldatura robusta.
8. Ingrassare mediante apposito ugello ingrassatore.

- 1- Cerniera
2- Perno
3- Calcestruzzo

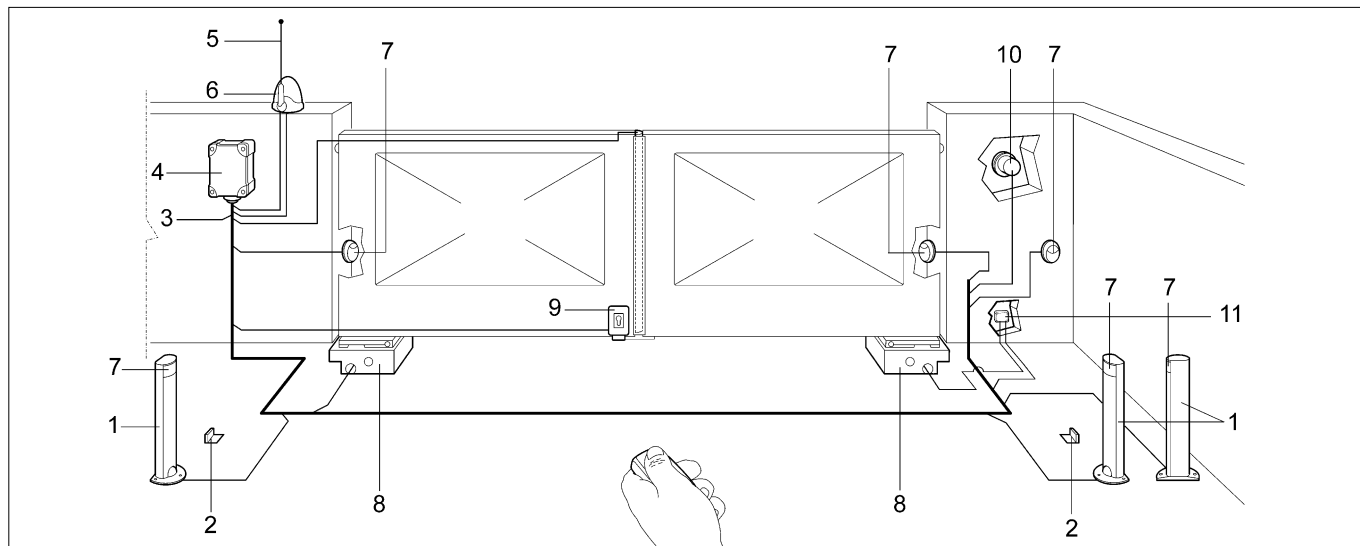
3.2) Installazione del motoriduttore METRO

1. Togliere i dadi e le rondelle indicati nella figura a destra (**fig.4**).
2. Collocare il motoriduttore all'interno della cassa di fondazione assicurandosi che sia inserito nel verso giusto.
3. Fissare la staffa per il finecorsa di chiusura nell'apposito foro (**paragrafo 4**)
4. Bloccare il motoriduttore con le rondelle grower e i 4 dadi autobloccanti presenti nella scatola accessori.
5. Collegare con la leva di collegamento (2) il motoriduttore al cancello (**fig.3**).



- 1 Leva di sblocco
2 Leva di collegamento
3 Sfera
4 Staffa di comando
5 Perno

3.3) Impianto tipico



- | | | |
|--|-----------------------------|---|
| 1 Colonnina per fotocellula. | 5 Antenna. | 9 Elettroserratura verticale |
| 2 Coppia di arresti in apertura | 6 Lampeggiante | 10 Selettore a chiave o tastiera digitale |
| 3 Linea 230V | 7 Fotocellula | 11 Scatola di derivazione (non fornita) |
| 4 Quadro di comando (centralina elettrica) | 8 Cassa con attuatore METRO | |

3.4) Collegamenti elettrici

Per il ME3000 e ME3010 collegare i cavi nel seguente modo:

Nero = Fase "apre"
 Marrone = Fase "chiude"
 Grigio = Comune
 Giallo/Verde = ⊕

Per il ME3024 collegare i cavi nel seguente modo:

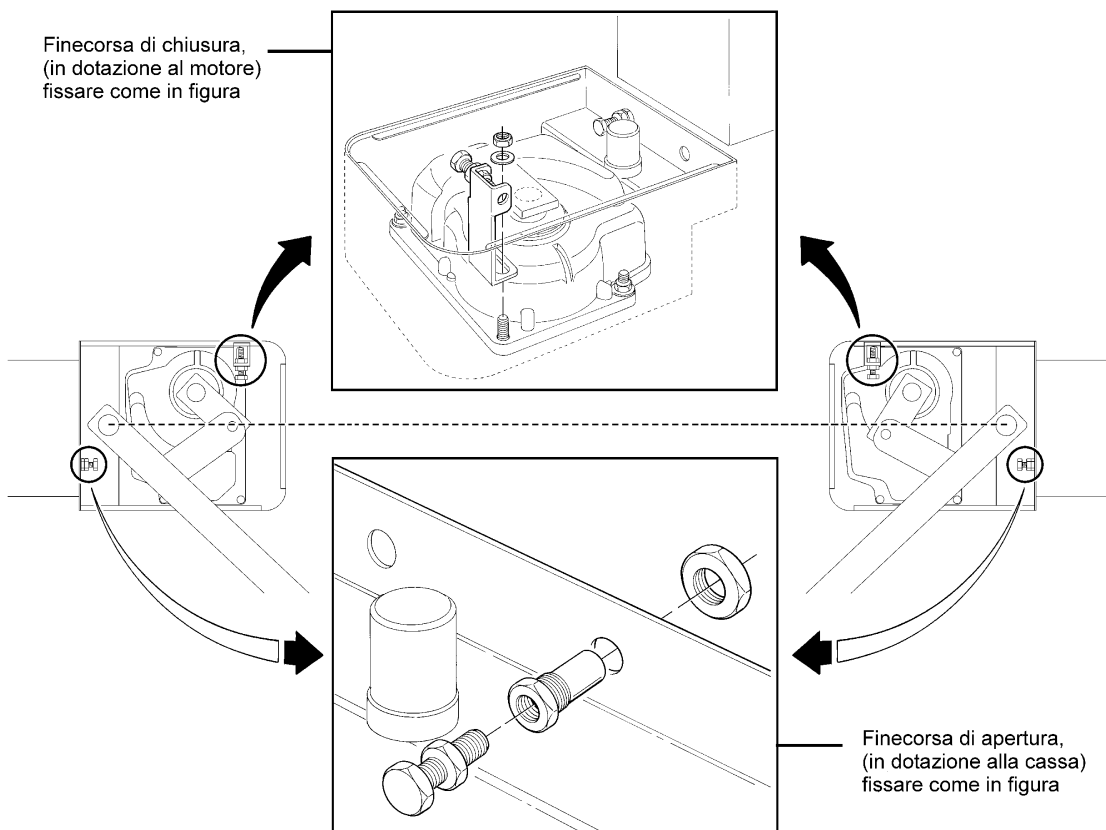
Blu = Alimentazione motore
 Marrone = Alimentazione motore
 Nero = Encoder
 Grigio = Encoder
 Giallo/Verde = ⊕

⚠ I motori dispongono di un cavo lungo 2 metri.

E' VIETATO eseguire giunte all'interno della cassa, per eventuali collegamenti usare solamente l'apposita scatola di derivazione (non fornita), al fine di preservare la sicurezza dell'impianto.

4) Posizionamento dei finecorsa

Finecorsa di chiusura,
 (in dotazione al motore)
 fissare come in figura



Finecorsa di apertura,
 (in dotazione alla cassa)
 fissare come in figura

5) Collaudo e messa in servizio

Il collaudo dell'intero impianto deve essere eseguito da personale esperto e qualificato che deve farsi carico delle prove richieste, in funzione del rischio presente.

Per il collaudo di METRO seguire questa procedura:

- chiudere il cancello;
- togliere alimentazione alla centrale;
- sbloccare il motoriduttore dall'anta come indicato nel paragrafo "Sblocco manuale (sblocco a chiave e a leva) sul capitolo "Istruzioni ed avvertenze destinate all'utilizzatore del motoriduttore METRO;
- aprire manualmente il cancello per tutta la sua corsa;
- verificare che il cancello durante il moto non abbia punti d'attrito;
- verificare che il cancello fermato in qualsiasi punto e sbloccato, non

accenni a muoversi;

- verificare che i sistemi di sicurezza e gli arresti meccanici siano in buono stato;
- verificare che i collegamenti a vite siano ben stretti;
- ripulire l'interno della cassa e verificare che lo scarico dell'acqua funzioni correttamente;
- terminate le verifiche ribloccare il motoriduttore e rialimentare la centrale;
- METRO è sprovvisto di dispositivo di regolazione di coppia, pertanto tale regolazione è affidata alla centrale di comando;
- misurare la forza d'impatto come previsto dalla normativa EN12453 ed EN12445.

6) Manutenzione

La manutenzione di METRO non necessita di accorgimenti particolari, ma un controllo programmato almeno ogni sei mesi permette di ottenere una maggiore vita del motoriduttore ed un corretto e sicuro funzionamento del sistema.

La manutenzione consiste semplicemente nel ripetere la procedura di collaudo.

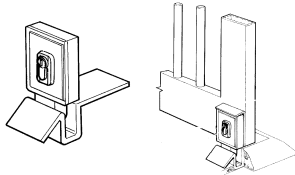
6.1) Smaltimento

METRO è costituito da varie tipologie di materiali e l'eliminazione di questi va effettuata rispettando le norme vigenti nei singoli Paesi. Nel caso di demolizione dell'automatismo non esistono particolari pericoli o rischi derivati dall'automazione stessa.

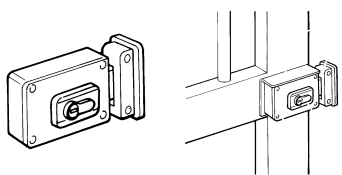
È opportuno, in caso si debba effettuare una raccolta differenziata, che i materiali vengano separati per tipologia (parti elettriche, alluminio, plastica, ecc.).

7) Accessori a richiesta

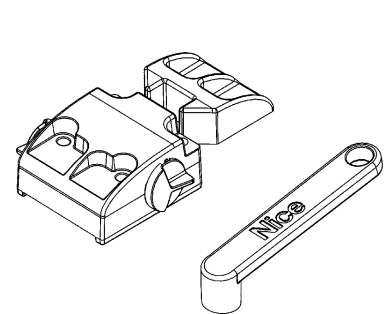
PLA10 Elettroserratura 12 Vca verticale



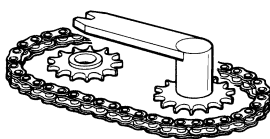
PLA11 Elettroserratura 12 Vca orizzontale



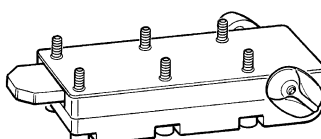
MEA3 Sblocco con apposita leva



MEA1 Dispositivo per apertura a 360°



MEA2 Sblocco con serratura



8) Caratteristiche tecniche

Allo scopo di migliorare i prodotti, NICE S.p.a. si riserva il diritto di modificare le caratteristiche tecniche in qualsiasi momento e senza preavviso pur mantenendo funzionalità e destinazione d'uso.

Nota: tutte le caratteristiche tecniche si riferiscono alla temperatura ambiente di 20°C (±5%)

Modelli e caratteristiche

	Unità di misura	ME3000	ME3010	ME3000L	ME3000/110	ME3024
Alimentazione	(Vac-Hz)	230V-50Hz	230V-50Hz	230V-50Hz	110V-60Hz	
	(Vdc)					24
Corrente assorbita	(A)	1.2	1.2	1.3	2.4	5
Potenza assorbita	(W)	250	250	300	250	120
Condensatore incorporato	(uF)	10	10	10	30	
Grado di protezione	(IP)	67	67	67	67	67
Velocità	(Rpm)	1.14	1.14	0.8	1.4	1.4
Coppia	(Nm)	300	300	250	300	250
Temperatura di esercizio	(°C Min/Max)	-20° ÷ +50°	-20° ÷ +50°	-20° ÷ +50°	-20° ÷ +50°	-20° ÷ +50°
Termoprotezione	(°C)	140°	140°	140°	140°	
Ciclo di lavoro	(%)	30	40	30	30	80
Peso	(Kg)	11	11.5	11	11	11

Istruzioni ed avvertenze destinate all'utilizzatore del motoriduttore METRO

Complimenti per aver scelto per la vostra automazione un prodotto Nice!

Nice S.p.A. produce componenti per l'automazione di cancelli, porte, tapparelle e tende da sole: motoriduttori, centrali di comando, radiocomandi, lampeggianti, fotocellule e accessori. Nice utilizza solo materiali e lavorazioni di qualità, e per vocazione ricerca soluzioni innovative che semplifichino al massimo l'utilizzo delle sue apparecchiature, curate nelle soluzioni tecniche, estetiche, ergonomiche: nella grande gamma Nice il vostro installatore avrà senz'altro scelto il prodotto più adatto alle vostre esigenze.

Nice non è però il produttore della vostra automazione, che è invece il risultato di un'opera di analisi, valutazione, scelta dei materiali, e realizzazione dell'impianto eseguita dal vostro installatore di fiducia. Ogni automazione è unica e solo il vostro installatore possiede l'esperienza e la professionalità necessarie ad eseguire un impianto secondo le vostre esigenze, sicuro ed affidabile nel tempo, e soprattutto a regola d'arte, rispondente cioè alle normative in vigore. Un impianto di automazione è una bella comodità, oltre che un valido sistema di sicurezza e, con poche, semplici attenzioni, è destinato a durare negli anni. Anche se l'automazione in vostro possesso soddisfa il livello di sicurezza richiesto dalle normative, questo non esclude l'esistenza di un "rischio residuo", cioè la possibilità che si possano generare situazioni di pericolo, solitamente dovute ad un utilizzo incosciente o addirittura errato, per questo motivo desideriamo darvi alcuni consigli sui comportamenti da seguire per evitare ogni inconveniente:

- **Prima di usare per la prima volta l'automazione,** fatevi spiegare dall'installatore l'origine dei rischi residui, e dedicate qualche minuto alla lettura del manuale di **istruzioni ed avvertenze per l'utilizzatore** consegnatovi dall'installatore. Conservate il manuale per ogni dubbio futuro e consegnatelo ad un eventuale nuovo proprietario dell'automazione.

- **La vostra automazione è un macchinario che esegue fedelmente i vostri comandi;** un uso incosciente ed improprio può farlo diventare pericoloso: non comandate il movimento dell'automazione se nel suo raggio di azione si trovano persone, animali o cose.

- **Bambini:** un impianto di automazione garantisce un alto grado di sicurezza, impedendo con i suoi sistemi di rilevazione il movimento in presenza di persone o cose, e garantendo un'attivazione sempre prevedibile e sicura. È comunque prudente vietare ai bambini di giocare in prossimità dell'automazione e per evitare attivazioni involontarie non lasciare i telecomandi alla loro portata: **non è un gioco!**

- **Anomalie:** Non appena notate qualunque comportamento anomalo da parte dell'automazione, togliete alimentazione elettrica all'impianto ed eseguite lo sblocco manuale. Non tentate da soli alcuna riparazione, ma richiedete l'intervento del vostro installatore di fiducia: nel frattempo l'impianto può funzionare come un'apertura non automatizzata, una volta sbloccato il motoriduttore come descritto più avanti.

- **Manutenzione:** Come ogni macchinario la vostra automazione ha bisogno di una manutenzione periodica affinché possa funzionare più a lungo possibile ed in completa sicurezza. Concordate con il vostro installatore un piano di manutenzione con frequenza periodica; Nice consiglia un intervento ogni 6 mesi per un normale utilizzo domestico, ma questo periodo può variare in funzione dell'intensità d'uso. Qualunque intervento di controllo, manutenzione o riparazione deve essere eseguito solo da personale qualificato.

- Anche se ritenete di saperlo fare, non modificate l'impianto ed i parametri di programmazione e di regolazione dell'automazione: la responsabilità è del vostro installatore.

- Il collaudo, le manutenzioni periodiche e le eventuali riparazioni devono essere documentate da chi le esegue e i documenti conservati dal proprietario dell'impianto.

- **Smaltimento:** Al termine della vita dell'automazione, assicuratevi che lo smantellamento sia eseguito da personale qualificato e che i materiali vengano riciclati o smaltiti secondo le norme valide a livello locale.

- **In caso di rotture o assenza di alimentazione:** Attendendo l'intervento del vostro installatore, o il ritorno dell'energia elettrica se l'impianto non è dotato di batterie tampone, l'automazione può essere azionata come una qualunque apertura non automatizzata. Per fare ciò è necessario eseguire lo sblocco manuale (unico intervento consentito all'utente sull'automazione): tale operazione è stata particolarmente studiata da Nice per assicurarvi sempre la massima facilità di utilizzo, senza uso di attrezzi particolari o necessità di sforzo fisico.

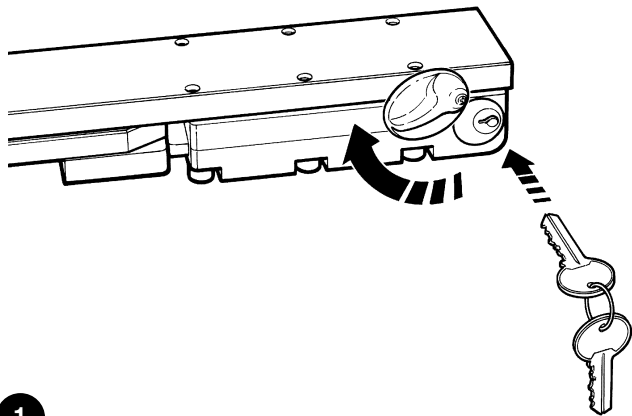
Manovra manuale (sblocco a chiave e a leva)

L'operazione manuale si deve eseguire nel caso di mancanza di corrente o in caso di anomalie dell'impianto.

Sblocco a CHIAVE tipo MEA2 (fig. 1)

- A Abbassare il coperchio copriserratura come indicato in figura.
- B Inserire la chiave e ruotarla in senso orario di 90°.
- C Agire manualmente sull'anta (fig.3).

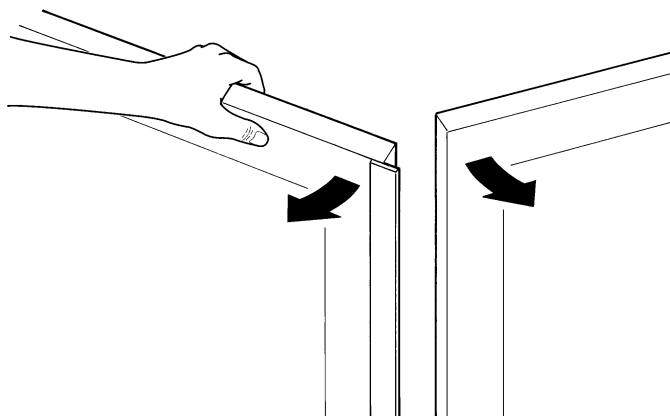
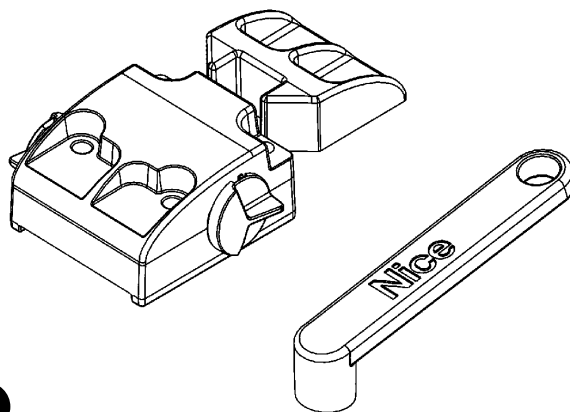
⚠ Il funzionamento automatico avverrà alla prima manovra elettrica.



Sblocco a leva tipo MEA3 (fig. 2)

- A Abbassare il coperchio copriserratura come indicato in figura.
- B Inserire la leva e ruotarla in senso orario di 90°.
- C Agire manualmente sull'anta (fig.3).

⚠ Il funzionamento automatico avverrà alla prima manovra elettrica.



Siete soddisfatti? Nel caso voleste aggiungere nella vostra casa un nuovo impianto di automazione, rivolgendovi allo stesso installatore e a Nice vi garantirete, oltre che la consulenza di uno specialista e i prodotti più evoluti del mercato, il migliore funzionamento e la massima compatibilità delle automazioni.

Vi ringraziamo per aver letto queste raccomandazioni, e vi auguriamo la massima soddisfazione dal vostro nuovo impianto: per ogni esigenza presente o futura rivolgetevi con fiducia al vostro installatore.

Avertissements

Ce manuel d'instructions contient des informations importantes concernant la sécurité pour l'installation, il faut lire toutes les instructions avant de procéder à l'installation. Conserver avec soin ce manuel également pour des consultations futures.

Compte tenu des dangers qui peuvent se vérifier durant l'installation et l'utilisation de METRO, pour le maximum de sécurité il faut que l'installation soit faite dans le plein respect des lois, normes et règlements. Dans ce chapitre, nous donnons des recommandations d'ordre général; d'autres recommandations importantes se trouvent dans les chapitres "2.1 Contrôles préliminaires"; "5 Essai et mise en service".

D'après la législation européenne la plus récente, la réalisation d'une porte ou d'un portail automatique possède les caractéristiques prévues par la Directive 98/37/CE (Directive Machines) et en particulier par les normes EN 12445, EN 12453 et EN 12635 qui permettent de déclarer la présomption de conformité.

D'autres informations et les conseils pour l'analyse des risques et la réalisation du dossier technique sont disponibles sur le site: "www.nicefoyou.com".

- Le présent manuel est destiné uniquement au personnel technique qualifié pour l'installation. À part l'encart spécifique "Instructions et recommandations destinées à l'utilisateur de l'opérateur METRO" qui sera détaché par l'installateur, aucune autre information contenue dans la présente notice ne peut être considérée comme intéressante pour l'utilisateur final!
- Une utilisation de METRO différente de ce qui est prévu dans cette notice est interdite; des utilisations impropres peuvent être source de dangers ou de dommages aux personnes et aux choses.
- Avant de commencer l'installation, il faut effectuer l'analyse des risques comprenant la liste des conditions de sécurité requises par l'annexe I de la Directive Machines, en indiquant les solutions adoptées.

Nous rappelons que l'analyse des risques est l'un des documents qui constituent le "dossier technique" de l'automatisation.

- Vérifier la nécessité d'autres dispositifs pour compléter l'automatisation avec METRO suivant les conditions spécifiques de l'application et les risques présents; il faut considérer par exemple les risques d'impact, écrasement, cisaillement, coincement, etc., et d'autres dangers en général.
- Ne pas effectuer de modifications sur aucune des parties si elles ne sont pas prévues dans le présent manuel. Des opérations de ce type entraîneront obligatoirement des problèmes de fonctionnement. NICE décline toute responsabilité pour les dommages dérivant de produits modifiés.
- Pendant l'installation et l'utilisation, éviter que des parties solides ou liquides puissent pénétrer à l'intérieur de la logique de commande ou d'autres composants ouverts; s'adresser éventuellement au service d'assistance NICE; l'utilisation de METRO dans de telles circonstances peut créer des situations de danger.
- L'automatisme ne peut pas être utilisé avant d'avoir effectué la mise en service comme l'explique le chapitre: "5 Essai et mise en service".
- L'emballage de METRO doit être mis au rebut dans le plein respect de la réglementation locale.
- Dans le cas de panne qui ne peut pas être résolue avec les informations données dans ce manuel, contacter le service après-vente NICE.
- Si l'intervention de disjoncteurs ou de fusibles se vérifie, avant de les réarmer, il faut identifier et éliminer la panne.
- **Avant d'accéder aux bornes des connexions de METRO, déconnecter tous les circuits d'alimentation;** si le dispositif de déconnexion n'est pas visible, accrocher un panneau: "ATTENTION MAINTENANCE EN COURS"

1) Description du produit

METRO est un opérateur destiné à l'automatisation d'un portail à un ou deux battants.

⚠ Toute utilisation autre que celle qui est décrite et dans des conditions différentes de celles qui sont prévues dans le présent manuel est interdite.

METRO fonctionne au moyen de l'énergie électrique; en cas de coupure de courant, il est possible de débrayer l'opérateur grâce aux clés prévues à cet effet et de déplacer manuellement les battants.

2) Installation

2.1) Contrôles préliminaires

Avant de procéder à l'installation, vérifier que la structure est adaptée, en d'autres termes, vérifier qu'elle est conforme aux normes en vigueur, en particulier, vérifier que:

- Le portail ne présente pas de points de frottement aussi bien en fermeture qu'en ouverture;
- Le portail est bien équilibré, c'est-à-dire que, quelle que soit la position dans laquelle il s'arrête, il n'a pas tendance à redémarrer;
- Le portail, durant sa course, est silencieux et que le mouvement est régulier;
- La zone identifiée pour la fixation de l'opérateur permet une

manœuvre facile et sûre;

- L'emballage est intègre
- Vérifier que la zone de fixation est compatible avec l'encombrement de la caisse (**fig.1**);
- Prévoir une butée d'arrêt en fermeture mais aussi, si possible, en ouverture.

⚠ Rappelons que METRO motorise un portail (à un ou deux battants) en état de marche et sûr et ne résout pas les défauts causés par une installation incorrecte ou par une maintenance insuffisante.

2.2) Limites d'utilisation

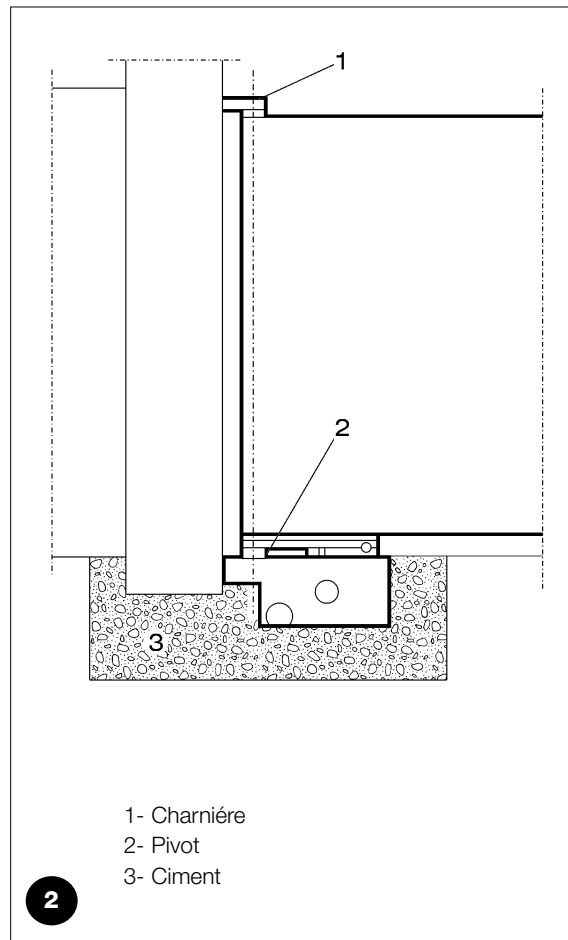
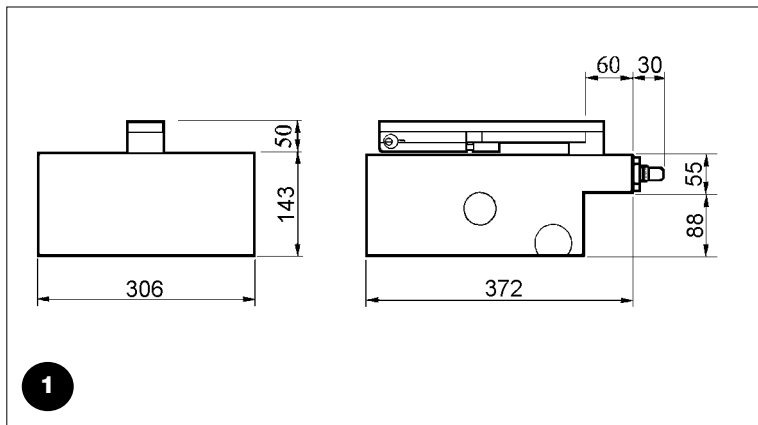
La forme et la hauteur du portail (ex. plein) ainsi que les conditions climatiques (ex.: vent fort) peuvent parfois réduire considérablement les valeurs indiquées sur le graphique ci-contre.

* Si le portail dépasse 2,5 m de longueur pour chaque battant, il est conseillé d'installer une serrure électrique (PLA10 ou PLA11).



3) Fixation

3.1) Dimensions d'encombrement et positionnement de la caisse de fondation

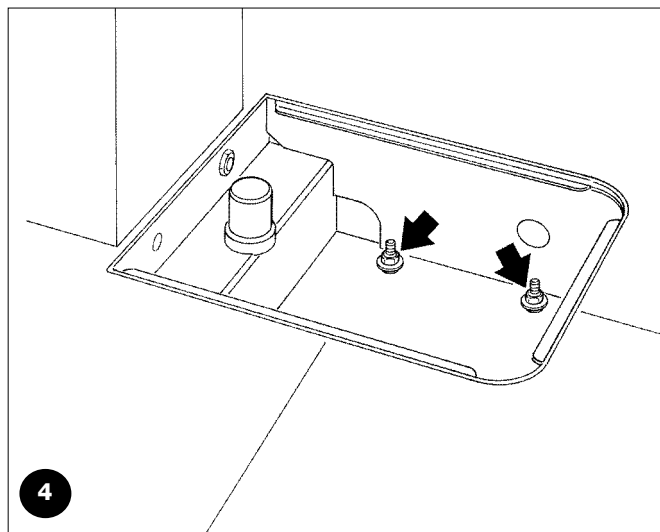
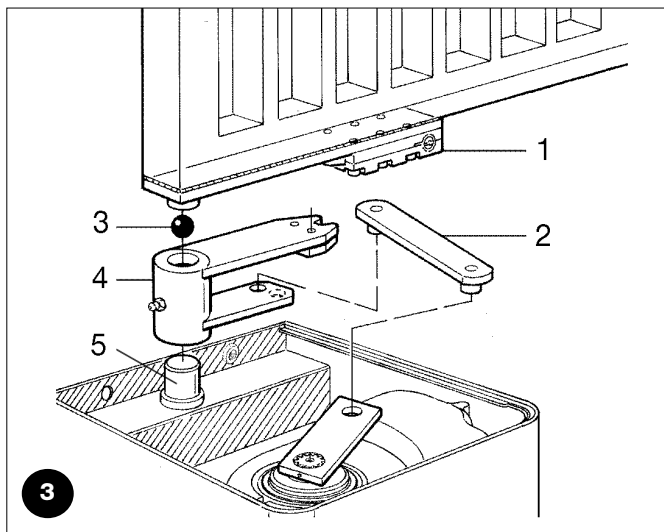


- 1- Charnière
- 2- Pivot
- 3- Ciment

1. Réaliser, en fonction des dimensions d'encombrement, une tranchée de fondation; il est conseillé de prévoir un bon drainage de manière à éviter toute stagnation d'eau;
2. Fixer à la caisse l'accessoire pour le fin de course d'ouverture (voire paragraphe 4) en suivant attentivement les instructions de la figure afin d'éviter toute erreur dans la fixation;
3. Placer la caisse à l'intérieur du trou avec le pivot aligné avec l'axe de la charnière (**fig. 2**)
4. Prévoir un conduit pour les câbles électriques et un autre pour le drainage;
5. Noyer dans le béton la caisse de fondation en vérifiant sa mise à niveau;
6. Positionner sur le pivot de la caisse le étrier de commande en veillant à interposer la bille fournie;
7. Poser la battant du portail sur le levier de débrayage et fixer avec une soudeuse robuste;
8. Graisser au moyen de la buse de graissage.

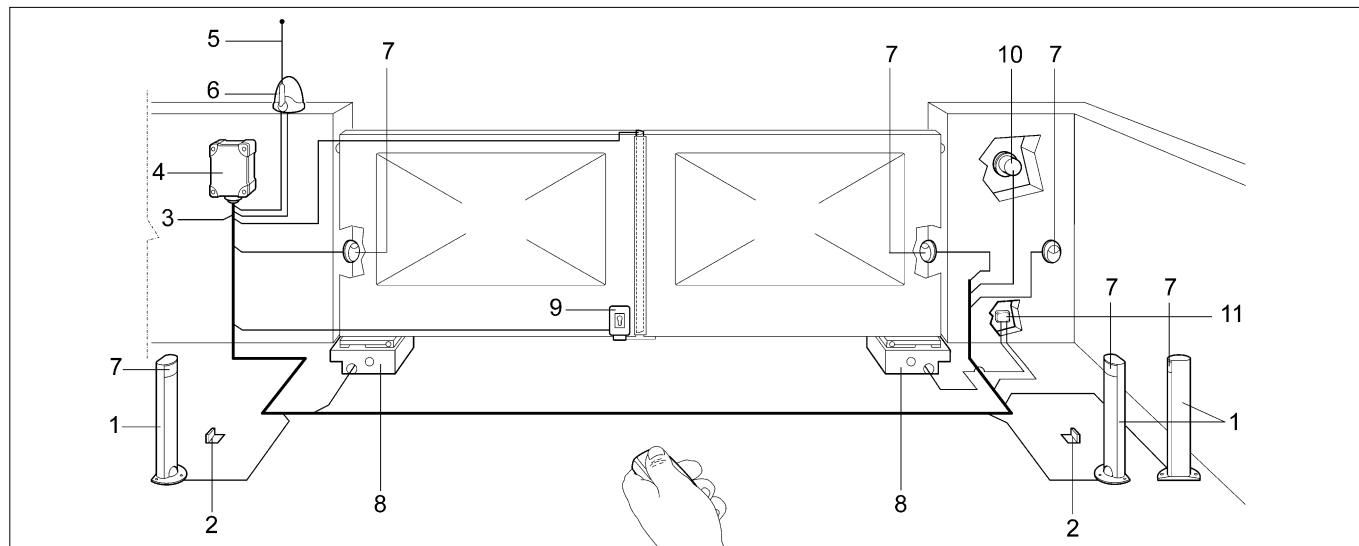
3.2) Installation de l'opérateur METRO

1. Enlever les écrous et les rondelles indiqués sur la figure de droite (**fig. 4**);
2. Placer l'opérateur à l'intérieur de la caisse de fondation en veillant à le positionner dans le bon sens;
3. Fixer la patte pour le fin de course de fermeture dans le trou prévu à cet effet (**paragraphe 4**);
4. Bloquer l'opérateur avec les rondelles Grower et les 4 écrous autofreinés présents dans la boîte des accessoires;
5. Raccorder l'opérateur au portail avec le levier de raccordement (2) (**fig. 3**).



- 1 Levier de débrayage
- 2 Levier de raccordement
- 3 Bille
- 4 Étrier de commande
- 5 Pivot

3.3) Installation typique



- | | | |
|--|-------------------------------|---|
| 1 Colonnette pour photocellule | 5 Antenne | 9 Serrure électrique verticale |
| 2 Couple d'arrêts en ouverture | 6 Clignotant | 10 Sélecteur à clef ou clavier numérique. |
| 3 Ligne 230 V | 7 Photocellule | 11 Boîte de dérivation (non fournie). |
| 4 Armoire de commande (armoire électrique) | 8 Caisse avec opérateur METRO | |

3.4) Branchements électriques

Pour les modèles ME3000 et ME3010, brancher les câbles comme suit:

- Noir = phase « ouverture »
- Marron = phase « fermeture »
- Gris = commun
- Jaune/Vert = ⊕

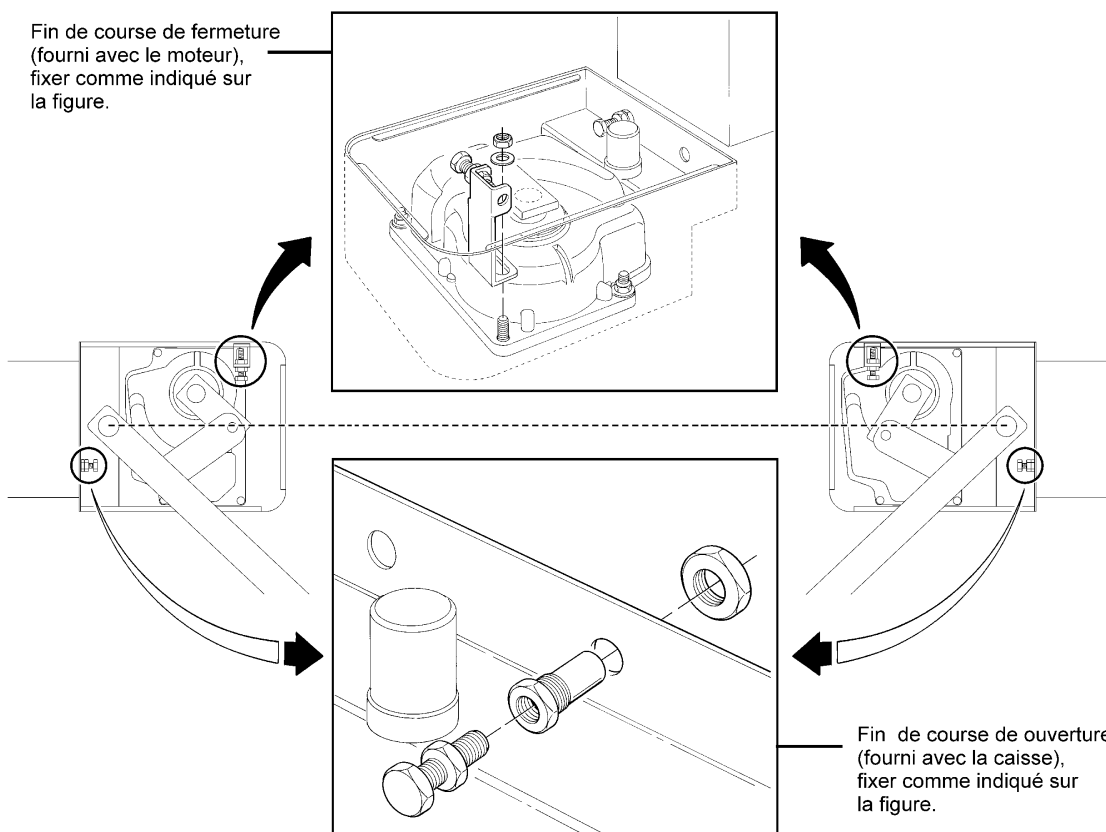
Pour le modèle ME3024, brancher les câbles comme suit:

- Bleu = alimentation moteur
- Marron = alimentation moteur
- Noir = encodeur
- Gris = encodeur
- Jaune/Vert = ⊕

⚠ Les moteurs disposent d'un câble de 2 mètres de longueur. IL EST INTERDIT d'effectuer des jonctions à l'intérieur de la caisse; pour les éventuels branchements, utiliser uniquement la boîte de dérivation (non fournie) afin de garantir la sécurité de l'installation.

4) Positionnement des fins de course

Fin de course de fermeture (fourni avec le moteur), fixer comme indiqué sur la figure.



Fin de course de ouverture (fourni avec la caisse), fixer comme indiqué sur la figure.

5) Essai et mise en service

L'essai de toute l'installation doit être effectuée par du personnel qualifié et expérimenté qui devra se charger d'établir les essais prévus en fonction des risques présents. Pour l'essai de METRO, suivre cette procédure:

- fermer le portail;
- couper l'alimentation sur la logique de commande;
- Débrayer l'opérateur en libérant le battant comme l'indique le paragraphe "Débrayage manuel (débrayage avec clé et levier)" dans le chapitre "Instructions et recommandations destinées à l'utilisateur de l'opérateur METRO".
- ouvrir manuellement le portail sur toute sa course;
- vérifier que le portail ne présente pas de points de frottement durant le mouvement;

- vérifier que le portail arrêté dans n'importe quelle position et débrayé n'a pas tendance à se déplacer;
- vérifier que les systèmes de sécurité et les arrêts mécaniques sont en bon état;
- vérifier que les raccordements à vis sont bien serrés;
- nettoyer l'intérieur de la caisse et vérifier que l'évacuation de l'eau fonctionne correctement;
- quand les vérifications sont terminées, rebloquer l'opérateur et réalimenter la logique de commande;
- METRO n'est pas équipé du dispositif de réglage du couple, ce réglage est donc assuré par la logique de commande;
- Mesurer la force d'impact comme le prévoit la réglementation EN12453 et EN12445.

6) Maintenance

La maintenance de METRO ne requiert pas d'opérations particulières mais un contrôle programmé au moins tous les six mois permet de garantir à l'opérateur une plus longue durée et d'assurer un fonctionnement correct et sûr du système.

La maintenance consiste simplement à répéter la procédure de contrôle.

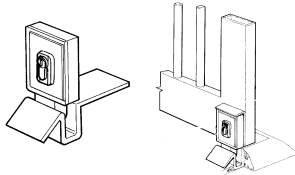
6.1) Mise au rebut

METRO est composé de différents types de matériaux dont l'élimination doit s'effectuer en respectant les normes en vigueur dans les divers pays. En cas de démolition de l'automatisme, il n'existe pas

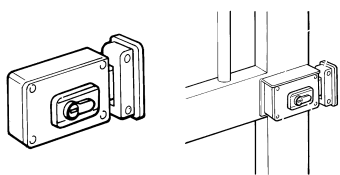
de dangers particuliers ou de risques dérivant de l'automatisme lui-même. En cas de collecte différenciée, il faut diviser les matériaux par typologie (parties électriques, aluminium, plastique, etc.).

7) Accessoires sur demande

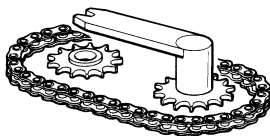
PLA10 Serrure électrique 12 Vca verticale



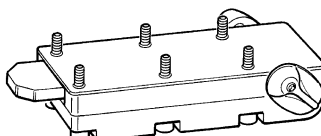
PLA11 Serrure électrique 12 Vca horizontale



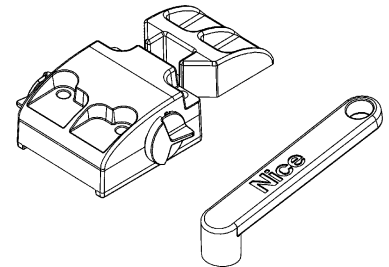
MEA1 Dispositif pour ouverture à 360°



MEA2 Débrayage à serrure.



MEA3 Débrayage à levier.



8) Caractéristiques techniques

Con lo scopo di migliorare i propri prodotti, Nice s.p.a. si riserva il diritto di modificare le caratteristiche tecniche in qualsiasi momento e senza preavviso pur mantenendo funzionalità e destinazione d'uso.

Tutte le caratteristiche tecniche riportate si riferiscono alla temperatura ambientale di 20°C (±5°C).

Modèles et caractéristiques

	Unité de mesure	ME3000	ME3010	ME3000L	ME3000/110	ME3024
Alimentation	(Vca - Hz)	230 V - 50 Hz	230 V - 50 Hz	230 V - 50 Hz	110 V - 60 Hz	
	(Vcc)					24
Courant absorbé	(A)	1.2	1.2	1.3	2.4	5
Puissance absorbée	(W)	250	250	300	250	120
Condensateur incorporé	(µF)	10	10	10	30	
Degré de protection	(IP)	67	67	67	67	67
Vitesse	(tr/min)	1.14	1.14	0.8	1.4	1.4
Couple	(Nm)	300	300	250	300	250
Température de service	(°C min./max.)	-20° ÷ +50°	-20° ÷ +50°	-20° ÷ +50°	-20° ÷ +50°	-20° ÷ +50°
Protection thermique	(°C)	140°	140°	140°	140°	
Cycle de travail	(%)	30	40	30	30	80
Poids	(kg)	11	11.5	11	11	11

Félicitations pour avoir choisi un produit Nice pour votre automatisation! Nice S.p.A. produit des composants pour l'automatisme de portails, portes, volets roulants et stores: opérateurs, logiques de commande, radiocommandes, clignotants, photocellules et accessoires.

Nice n'utilise que des matériaux et des usinages de qualité et par vocation, elle recherche des solutions innovantes qui simplifient au maximum l'utilisation de ses appareils, très soignés sur le plan de la technique, de l'esthétique et de l'ergonomie: dans la vaste gamme Nice, votre installateur aura choisi sans aucun doute le produit le plus adapté à vos exigences. Nice n'est toutefois pas le producteur de votre automatisme qui est en effet le résultat d'un travail d'analyse, évaluation, choix des matériaux et réalisation de l'installation, exécuté par votre installateur de confiance. Chaque automatisme est unique et seul votre installateur possède l'expérience et la compétence professionnelle nécessaires pour réaliser une installation répondant à vos exigences, sûre et fiable dans le temps et surtout, exécutée dans les règles de l'art et conforme par conséquent aux normes en vigueur. Une installation d'automatisation est une belle commodité ainsi qu'un système de sécurité valable; avec quelques attentions très simples, elle est destinée à durer dans le temps. Même si l'automatisme en votre possession satisfait le niveau de sécurité requis par les normes, cela n'exclut pas la persistance d'un "risque résiduel", c'est-à-dire la possibilité de situations de danger dues généralement à une utilisation inconsciente, voire erronée. C'est la raison pour laquelle nous désirons vous donner quelques conseils sur les comportements à adopter pour éviter tout inconvénient:

• **Avant d'utiliser pour la première fois l'automatisme**, faites-vous expliquer par l'installateur l'origine des risques résiduels et consacrez quelques minutes à la lecture du manuel **d'instructions** et d'avertissements pour l'utilisateur qui vous est remis par l'installateur. Conservez le manuel pour pouvoir le consulter pour n'importe quel doute futur et remettez-le à tout nouveau propriétaire de l'automatisme.

• **Votre automatisme est un équipement qui exécute fidèlement vos commandes**; une utilisation inconsciente et incorrecte peut le rendre dangereux: ne commandez pas le mouvement de l'automatisme si des personnes, des animaux ou des objets se trouvent dans son rayon d'action.

• **Enfants**: une installation d'automatisation garantit un degré de sécurité élevé en empêchant avec ses systèmes de détection le mouvement en présence de personnes ou d'objets et en garantissant une activation toujours prévisible et sûre. Il est prudent toutefois d'éviter de laisser jouer les enfants à proximité de l'automatisme et pour éviter les activations involontaires, de ne pas laisser à leur portée les émetteurs qui commandent la manœuvre: **ce n'est pas un jeu!**

• **Anomalies**: si vous notez une anomalie quelconque dans le fonctionnement de l'automatisme, coupez l'alimentation électrique de l'installation et procédez au débrayage manuel. Ne tentez jamais de le réparer vous-même mais demandez l'intervention de votre installateur de confiance: dans l'intervalle, l'installation peut fonctionner comme un système non automatisé, après avoir débrayé l'opérateur suivant les indications données plus loin.

• **Maintenance**: comme toutes les machines, votre automatisme a besoin d'une maintenance périodique pour pouvoir fonctionner le plus longtemps possible et en toute sécurité. Établissez avec votre installateur un plan de maintenance périodique programmée; Nice conseille une intervention tous les 6 mois pour une utilisation domestique normale mais celle période peut varier en fonction de l'intensité d'utilisation. Toute intervention de contrôle, maintenance ou réparation doit être exécutée exclusivement par du personnel qualifié.

• Même si vous estimez en être capable, ne modifiez pas l'installation et les paramètres de programmation et de réglage de l'automatisme: la responsabilité en incombe à votre installateur.

• L'essai de fonctionnement final, les maintenances périodiques et les éventuelles réparations doivent être documentés par la personne qui s'en charge et les documents doivent être conservés par le propriétaire de l'installation.

• **Mise au rebut**. À la fin de la vie de l'automatisme, assurez-vous que le démantèlement est effectué par du personnel qualifié et que les matériaux sont recyclés ou mis au rebut en respectant les normes locales en vigueur.

• **En cas de ruptures ou absence d'alimentation électrique**. En attendant l'intervention de votre installateur (ou le retour du courant si l'installation est dépourvue de batterie tampon), l'installation peut être actionnée comme n'importe quel autre système non automatisé. Pour cela, il faut effectuer le débrayage manuel: cette opération, qui est la seule pouvant être effectuée par l'utilisateur de l'automatisme, a fait l'objet d'une étude particulière de la part de Nice pour vous assurer toujours une utilisation extrêmement simple et aisée, sans aucun outil ou effort physique.

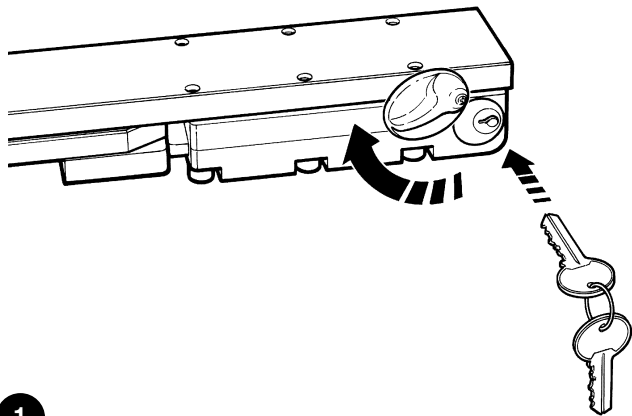
Manœuvre manuelle (débrayage à clé et à levier)

L'opération manuelle doit être utilisée en cas de panne de courant ou d'anomalie de l'installation.

Débrayage à CLÉ type MEA2 (fig. 1)

- A Abaisser le couvercle de la serrure comme indiqué sur la figure;
- B Introduire la clef et la tourner de 90° dans le sens des aiguilles d'une montre;
- C Agir manuellement sur le battant (fig.3).

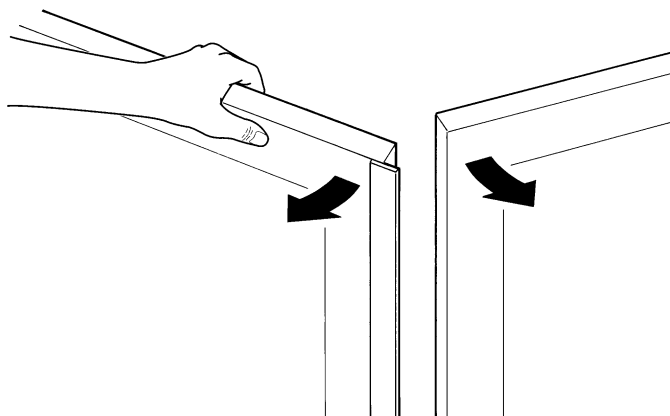
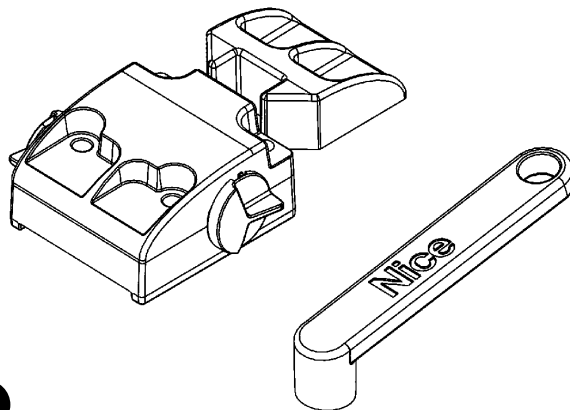
⚠ Le fonctionnement automatique aura lieu lors de la première manœuvre électrique.



Débrayage à levier type MEA3 (fig. 2)

- A Abaisser le couvercle de la serrure comme indiqué sur la figure ;
- B Positionner le levier et le tourner de 90° dans le sens des aiguilles d'une montre;
- C Agir manuellement sur le battant (fig.3).

⚠ Le fonctionnement automatique aura lieu lors de la première manœuvre électrique.



Êtes-vous satisfait? Si vous désirez équiper votre maison d'un nouvel automatisme, adressez-vous au même installateur et à Nice. Vous serez sûr de bénéficier ainsi, en plus du conseil d'un spécialiste et des produits les plus évolués du marché, également du meilleur fonctionnement et de la compatibilité parfaite des différents automatismes installés.

Nous vous remercions d'avoir lu ces recommandations et nous espérons que votre nouvelle installation vous donnera entière satisfaction: pour tout besoin présent ou futur, adressez-vous en toute confiance à votre installateur.

Hinweise

Die vorliegenden Anweisungen enthalten wichtige Sicherheitsinformationen für die Installation; vor der Installation alle Anweisungen lesen und dieses Handbuch auch für die Zukunft sorgfältig aufbewahren.

Unter Berücksichtigung der Gefahren, die bei Installation und Bedienung von METRO auftreten können, muss die Installation für größte Sicherheit unter voller Einhaltung von Gesetzen, Vorschriften und Verordnungen erfolgen. In diesem Kapitel sind Hinweise allgemeiner Art gegeben; weitere wichtige Hinweise befinden sich in den Kapiteln "2.1 Vorprüfungen"; "5 Endprüfung und Inbetriebsetzung".

Nach der neuesten europäischen Gesetzgebung, gehört die Realisierung einer automatischen Tür oder eines automatischen Tors zu den Verordnungen der Richtlinie 98/37/CE (Maschinenrichtlinie) und insbesondere zu den Vorschriften: EN 12445; EN 12453 und EN 12635, die es erlauben, die vermutliche Konformität zu erklären.

Ulteriori informazioni, linee guida all'analisi dei rischi ed alla realizzazione Weitere Auskünfte und Hinweise zur Analyse der Risiken und der Realisierung der Technischen Unterlagen stehen in www.niceforyou.com zur Verfügung.

- Die vorliegende Anleitung ist nur für technisches Personal bestimmt, das für die Installation qualifiziert ist. Mit Ausnahme der Anlage „Anweisungen und Hinweise für den Benutzer des Toröffners METRO“, die der Installateur abtrennen muss, ist keine im vorliegenden Heft enthaltene Information als interessant für den Endbenutzer zu betrachten!
- Ein Gebrauch von METRO, der anders als in diesen Anweisungen vorgesehen ist, ist verboten; Ein unsachgemäßer Gebrauch kann Gefahren und Personen- oder Sachschäden verursachen.
- Vor der Installation ist die Risikoanalyse auszuführen, welche die Liste der wesentlichen Sicherheitsanforderungen, vorgesehen in Anlage I der Maschinenrichtlinie einschließen und die jeweiligen, angewendeten Lösungen angeben muss.

Es wird daran erinnert, dass die Risikoanalyse einer der Unterlagen ist, die Bestandteil der „Technischen Dokumentation“ der Automatisierung sind.

- Je nach Einsatzbedingungen und vorhandenen Gefahren prüfen, ob weitere Vorrichtungen und Materialien erforderlich sind, um die Automatisierung mit METRO zu vervollständigen; berücksichtigt werden müssen zum Beispiel Aufprallgefahr, Quetsch- und Mitnehmgefahr usw. und sonstige Gefahren allgemein.
- Keine Änderungen an keinem Teil ausführen, falls nicht im vorliegenden Handbuch vorgesehen. Vorgänge dieser Art können nur Betriebsstörungen verursachen. NICE lehnt jegliche Haftung für Schäden aufgrund geänderter Produkte ab.
- Während Installation und Gebrauch vermeiden, dass Festteile oder Flüssigkeiten in die Steuerung und sonstige geöffnete Vorrichtungen eindringen können; wenden Sie sich ggf. an den NICE Kundendienst; der Gebrauch von METRO in solchen Situationen kann Gefahren verursachen.
- Der Automatismus darf erst verwendet werden, nachdem die Inbetriebsetzung ausgeführt wurde, wie in Punkt „5 Endprüfung und Inbetriebsetzung“ vorgesehen.
- Das Verpackungsmaterial von METRO muss unter voller Einhaltung der örtlichen Vorschriften entsorgt werden.
- Wenden ein Defekt mit den im vorliegenden Handbuch gegebenen Infos nicht beseitigt werden kann, wenden Sie sich bitte an den NICE Kundendienst.
- Wenn Automatikschalter oder Sicherungen ausgelöst werden, muss vor ihrer Rückstellung der Defekt festgestellt und beseitigt werden.
- **Alle Versorgungskreisläufe vor dem Zugriff auf die Klemmen der Verbindungen von METRO abtrennen;** falls die Abtrennvorrichtung nicht sichtbar ist, ein Schild mit der Aufschrift :“ACHTUNG – WARTUNG IM GANG“ anbringen.

1) Beschreibung des Produktes

METRO ist ein Toröffner für die Automatisierung eines ein- oder zweiseitigen Drehtors.

⚠ Jeder andere Gebrauch, der anders ist als oben beschrieben und unter anderen Bedingungen als in der vorliegenden Anleitung vorgesehen ist unzulässig.

METRO funktioniert mit elektrischer Energie; bei Stromausfall kann der Toröffner mit den speziellen Schlüsseln entriegelt werden; danach kann man die Torflügel von Hand bewegen.

2) Installation

2.1) Vorprüfungen

Vor der Installation ist zu prüfen, ob sich die Torstruktur eignet, anders gesagt, ob sie mit den gültigen Vorschriften konform ist. Insbesondere prüfen, ob:

- das Tor in Schließung sowie in Öffnung keine Reibungen aufweist;
- das Tor gut ausgeglichen ist. Das heißt, dass es sich nicht bewegen darf, wenn es in beliebiger Stellung stillsteht
- das Tor einen leisen und regulären Lauf hat;
- der Befestigungsbereich des Toröffners eine einfache und sichere Bewegung von Hand ermöglicht.;
- die Verpackung unbeschädigt ist

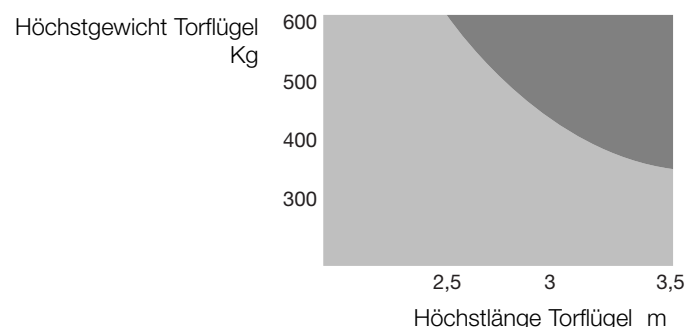
- der Befestigungsbereich dem Platzbedarf des Kastens entspricht (**Abb.1**)
- einen Endanschlag in Schließung und möglichst auch in Öffnung vorsehen.

⚠ Es wird daran erinnert, dass METRO ein bereits effizientes und sicheres Tor (ein- oder zweiseitig) motorisiert; METRO kann Probleme aufgrund falscher Installation oder schlechter Wartung nicht lösen.

2.2) Einsatzgrenzen

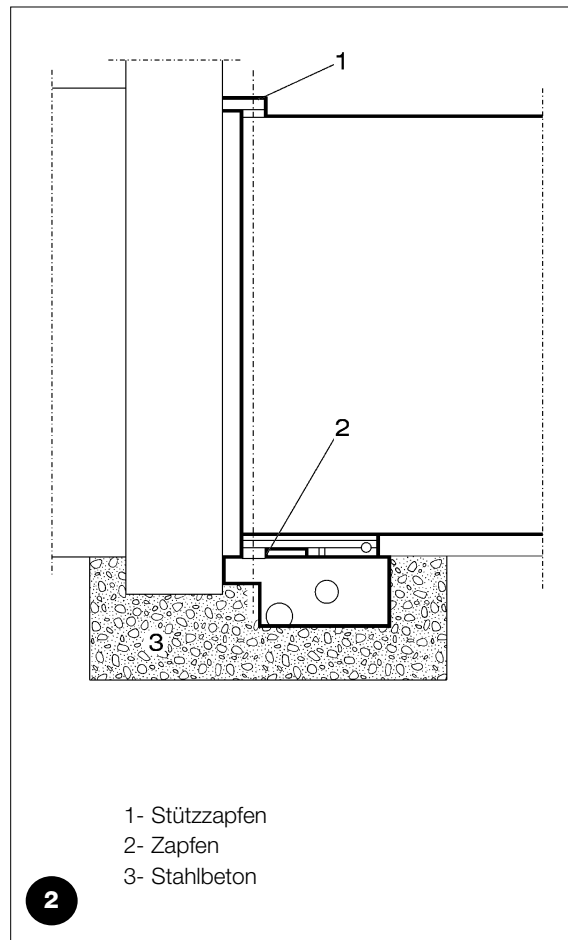
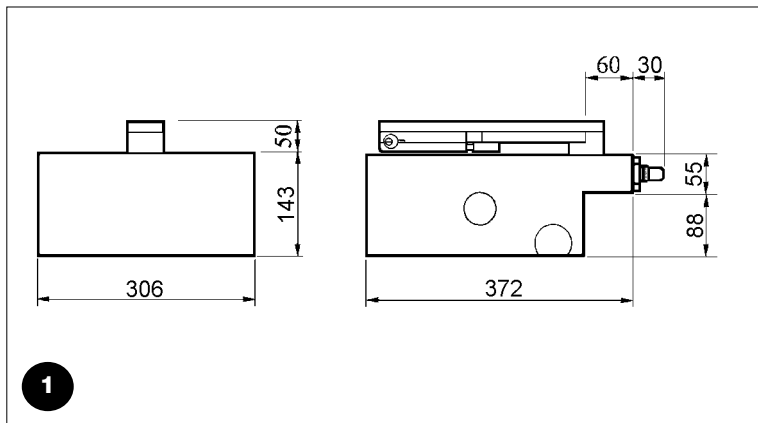
Form und Höhe des Tors (z.B. ausgefacht) sowie starker Wind können die Werte in der graphischen Darstellung hier daneben bedeutend reduzieren.

* Sollte jeder Torflügel länger als 2,5 m sein, wird der Einbau eines Elektroschlösses (PLA10 oder PLA11) empfohlen.



3) Befestigung

3.1) Gesamtabmessungen und Positionieren des Fundamentkastens

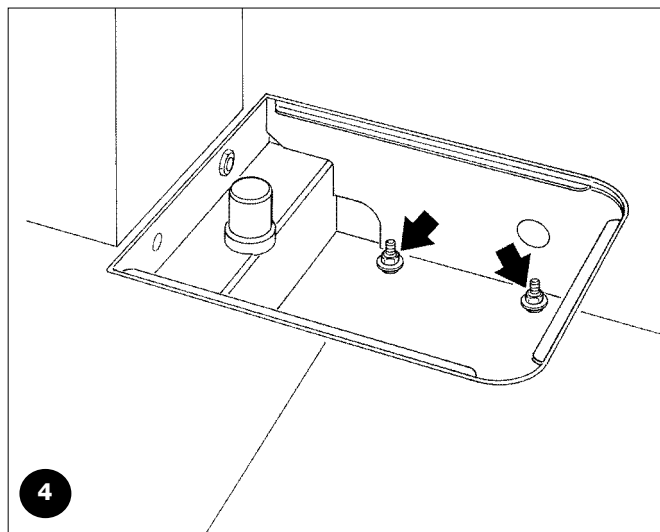
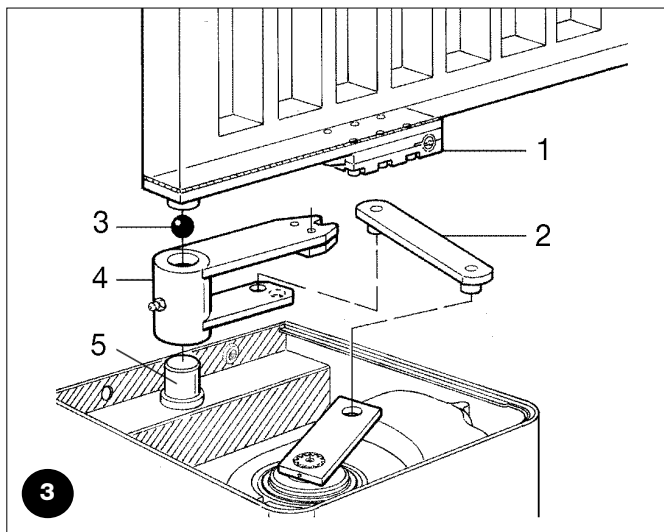


1. Je nach den Gesamtabmessungen eine Ausgrabung für den Fundamentkasten ausführen; eine gute Drainage vorsehen, um Wasserrückstau zu vermeiden.
2. Das Zubehör für den Endschalter in Öffnung (siehe Par. 4) am Fundamentkasten befestigen; die Anweisungen in der Abbildung genau befolgen, um eine falsche Befestigung zu vermeiden
3. Den Fundamentkasten in der Ausgrabung anbringen; der Zapfen muss mit der Achse des Scharniers fluchten (**Abb. 2**)
4. Eine Leitung für die Elektrokabel und eine für die Drainage vorsehen.
5. Den Fundamentkasten im Beton versenken, genau nivellieren und die Höhe beachten.
6. Den Steuerbügel auf den Zapfen des Kastens stecken; die mitgelieferte Kugel zwischenlegen.
7. Den Torflügel auf den Entriegelungshebel stützen und fest anschweißen.
8. Mit der speziellen Fettbüchse einfetten.

- 1- Stützzapfen
2- Zapfen
3- Stahlbeton

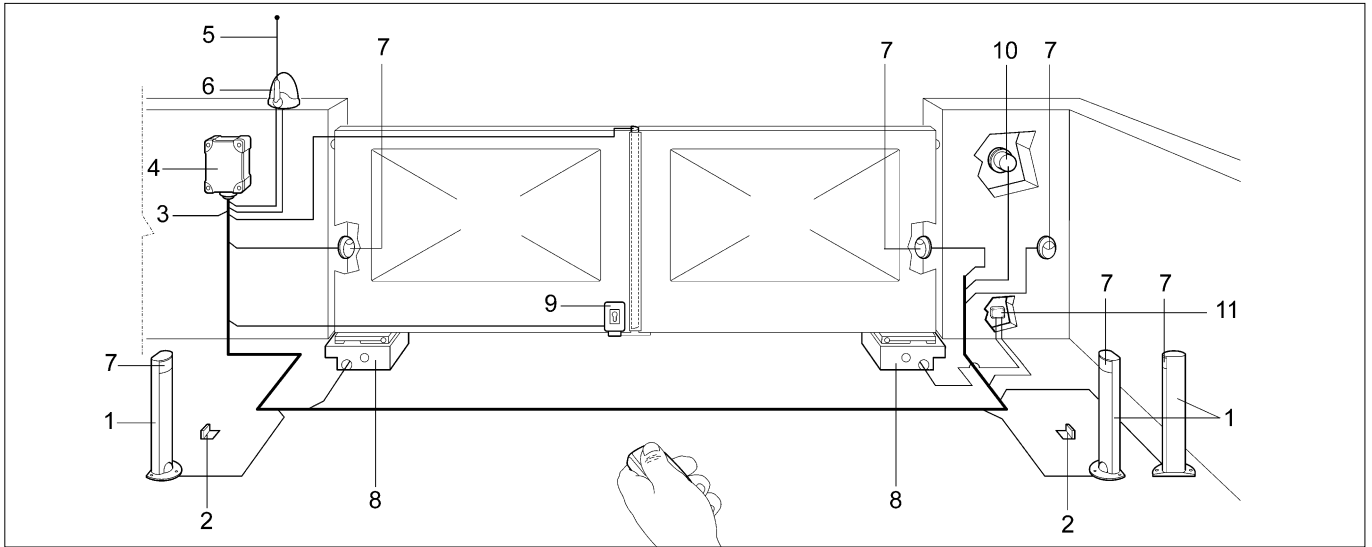
3.2) Installation des Toröffners METRO

1. Die in der Abbildung rechts gezeigten Muttern und Unterlegscheiben entfernen (**abb. 4**).
2. Den Toröffner im Fundamentkasten anbringen; sicher stellen, dass er im richtigen Sinn eingebaut wird.
3. Den Bügel für den Endschalter in Schließung in der dazu vorgesehenen Bohrung befestigen (**Par. 4**)
4. Den Toröffner mit den Grower-Unterlegscheiben und den 4 selbstsperrenden Muttern in der Zubehörschachtel befestigen.
5. Den Toröffner mit dem Verbindungsbügel (2) mit dem Tor verbinden (**abb. 3**)



- 1 Entriegelungshebel
2 Verbindungshebel
3 Kugel
4 Steuerbügel
5 Zapfen

3.3) Typische Anlage



- | | | |
|---------------------------------|---------------------------------------|--|
| 1 Standsäule für Photozelle | 5 Antenne | 9 Elektroschloss, vertikal |
| 2 Paar Endanschlüsse in Öffnung | 6 Blinkleuchte | 10 Schlüsseltaster oder digitales Codeschloss. |
| 3 230V Linie | 7 Photozelle | 11 Abzweigkasten (nicht mitgeliefert). |
| 4 Steuerung | 8 Fundamentkasten mit Toröffner METRO | |

3.4) Elektrische Anschlüsse

Für ME3000 und ME3010, die Kabel wie folgt anschließen:

- Schwarz = Phase "öffnet"
- Braun = Phase "schließt"
- Grau = Gemeinsam
- Gelb/Grün = ⊕

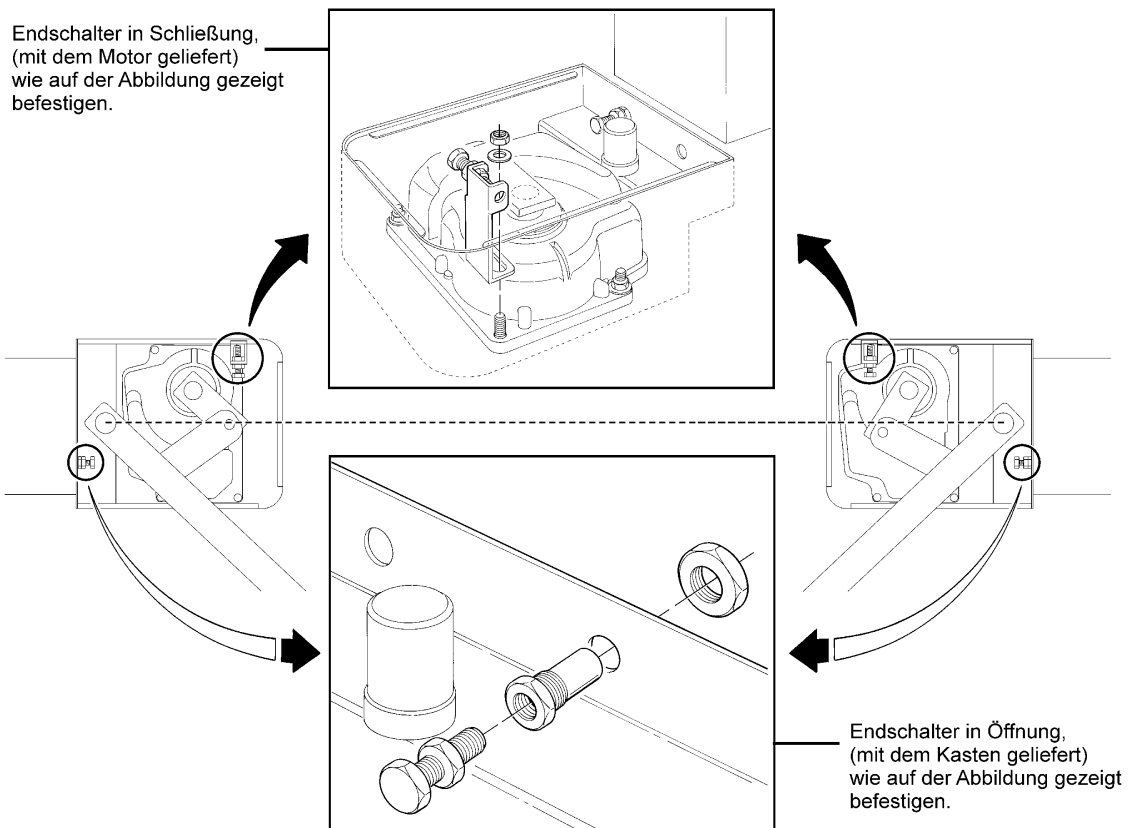
Für ME3024, die Kabel wie folgt anschließen:

- Blau = Motorversorgung
- Braun = Motorversorgung
- Schwarz = Encoder
- Grau = Encoder
- Gelb/Grün = ⊕

⚠ Die Motoren verfügen über ein 2m langes Kabel.

ES IST VERBOTEN, Kabel im Kasten zusammen zu fügen; für eventuelle Verbindungen nur den speziellen Abzweigkasten (nicht mitgeliefert) verwenden, um den Sicherheitsgrad der Anlage beizubehalten.

4) Positionieren der Endschalter



5) Abnahme und Inbetriebsetzung

Die Abnahme der gesamten Anlage muss von erfahrener Fachpersonal mit Tests ausgeführt werden, die dem vorhandenen Risiko entsprechen müssen. Für die Abnahme von METRO wie folgt vorgehen:

- das Tor schließen;
- die Versorgung zur Steuerung abschalten;
- Den Toröffner vom Torflügel entriegeln, siehe Abschnitt "Manuelle Entriegelung (Entriegelung mit Schlüssel und Hebel)" im Kapitel "Anweisungen und Hinweise für den Benutzer des Toröffners METRO".
- das Tor von Hand ganz öffnen;
- prüfen, dass das Tor während der Bewegung nicht durch Reibung behindert wird;
- prüfen, dass sich das Tor nicht bewegt, wenn es in beliebiger Stellung stillsteht;

- prüfen, dass sich die Sicherheitssysteme und die mechanischen Anschläge in gutem Zustand befinden;
- prüfen, dass die Schraubverbindungen fest angezogen sind;
- das Kasteninnere reinigen und prüfen, ob der Wasserabfluss korrekt funktioniert;
- den Toröffner nach Beendigung der Überprüfungen wieder verriegeln und die Steuerung versorgen;
- METRO hat keine Drehmomentregelung, diese Regelung ist daher der Steuerung anvertraut;
- die Aufprallkraft messen, wie von den Normen EN12453 und EN12445 vorgesehen.

6) Wartung

Für die Wartung von METRO sind keine besonderen Maßnahmen erforderlich, jedoch gewährleistet eine programmierte Kontrolle mindestens alle sechs Monate eine längere Lebensdauer des Toröffners und den korrekten und sicheren Betrieb des Systems.

Die Wartung besteht einfach aus der Wiederholung des Abnahmeverfahrens.

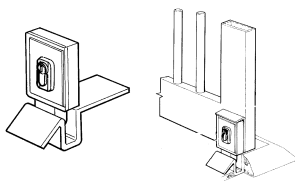
6.1) Entsorgung

METRO besteht aus verschiedenen Werkstoffen, die unter Einhaltung der in den einzelnen Ländern gültigen Vorschriften zu entsorgen sind. Im Falle eines Abbruchs des Automatismus gibt es keine besonderen Gefahren oder Risiken, die durch die Automatisierung

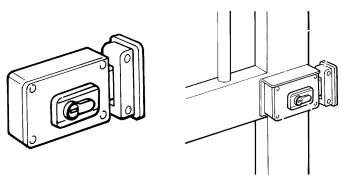
verursacht werden können. Auf jeden Fall sollten die Materialien differenziert entsorgt werden, d.h. sie müssen nach Typ sortiert und entsorgt werden (elektrische Teile, Aluminium, Plastik, usw.).

7) Sonderzubehör

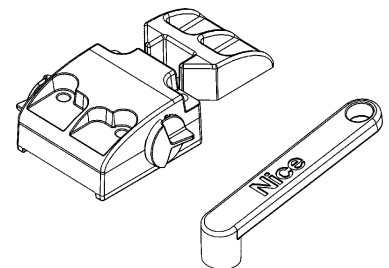
PLA10 12Vac Elektroschloss, vertikal



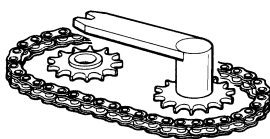
PLA11 12Vac Elektroschloss, horizontal



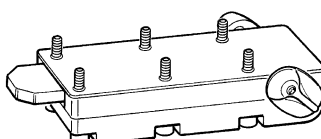
MEA3 Entriegelung mit speziellem Hebel



MEA1 Vorrichtung für 360° Öffnung



MEA2 Entriegelung mit Schloss.



8) Technische Merkmale

Für eine Verbesserung der Produkte behält sich NICE S.p.a. das Recht vor, die technischen Merkmale jederzeit und ohne vorherige Benachrichtigung zu ändern, wobei aber vorgesehene Funktionalitäten und Einsätze erhalten bleiben. Alle technischen Merkmale beziehen sich auf eine Temperatur von 20°C (±5°C)

Modelle und Merkmale

	Maßeinheit	ME3000	ME3010	ME3000L	ME3000/110	ME3024
Versorgung	(Vac-Hz)	230V-50Hz	230V-50Hz	230V-50Hz	110V-60Hz	
	(Vdc)					24
Stromaufnahme	(A)	1.2	1.2	1.3	2.4	5
Leistungsaufnahme	(W)	250	250	300	250	120
Eingebauter Kondensator	(uF)	10	10	10	30	
Schutzart	(IP)	67	67	67	67	67
Geschwindigkeit	(Rpm)	1.14	1.14	0.8	1.4	1.4
Drehmoment	(Nm)	300	300	250	300	250
Betriebstemperatur	(°C Min/Max)	-20° ÷ +50°	-20° ÷ +50°	-20° ÷ +50°	-20° ÷ +50°	-20° ÷ +50°
Wärmeschutz	(°C)	140°	140°	140°	140°	
Arbeitszyklus	(%)	30	40	30	30	80
Gewicht	(Kg)	11	11.5	11	11	11

Anweisungen und Hinweise für den Benutzer des Toröffners METRO

Wir gratulieren Ihnen zur Wahl eines Nice Produktes für Ihre Automatisierung! Nice S.p.A. stellt Bestandteile für die Automatisierung von Türen und Toren, Rollläden und Markisen her: Getriebemotoren, Steuerungen, Funksteuerungen, Blinkleuchten, Photozellen und Zubehör. Nice verwendet ausschließlich Werkstoffe und Verarbeitungen höchstehender Qualität und ist aufgrund der Nice Betriebsphilosophie immer auf der Suche nach innovativen Lösungen, um die Verwendung der Nice Apparaturen, vom technischen, ästhetischen und ergonomischen Standpunkt her besonders gepflegt, zu erleichtern: Ihr Installateur wird bestimmt das richtige Produkt in der großen Nice Palette für Sie ausgewählt haben. Nice ist jedoch nicht der Hersteller Ihrer Automatisierung, die das Ergebnis von Analysen, Bewertungen, Auswahl der Materialien und der Durchführung der Anlage durch Ihren Vertrauensinstallateur ist. Jede Automatisierung ist einzigartig, und nur Ihr Installateur besitzt die Erfahrung und Professionalität, die notwendig sind, um eine Anlage nach Ihrem Bedarf auszuführen, die sicher und dauerhaft zuverlässig und vor allem fachgerecht ist bzw. den gültigen Vorschriften entspricht. Eine Automatisierungsanlage ist etwas sehr bequemes, aber auch ein wertvolles Sicherheitssystem und dauert mit nur wenigen Eingriffen bestimmt jahrelang. Auch wenn Ihre Automatisierung den von den Vorschriften geforderten Sicherheitsniveaus entspricht, schließt dies das Vorhandensein von "Restrisiken" nicht aus, womit die Möglichkeit gemeint ist, dass gewöhnlich aufgrund eines verantwortungslosen oder falschen Gebrauchs Gefahren erzeugt werden können; wir möchten Ihnen deshalb ein paar Ratschläge geben, wie Sie sich verhalten sollten, um allen Unannehmlichkeiten aus dem Weg zu gehen:

• **Bevor Sie die Automatisierung zum ersten Mal verwenden**, lassen Sie sich von Ihrem Installateur erklären, wie Restrisiken entstehen können, und widmen Sie dem Lesen der **Anweisungen und Hinweise für den Benutzer**, die Ihnen Ihr Installateur aushändigen wird, ein paar Minuten. Bewahren Sie die Anleitung für zukünftige Zweifelsfälle auf und übergeben Sie diese ggf. einem neuen Besitzer der Automatisierung.

• **Ihre Automatisierung ist eine Maschine, die Ihre Befehle getreu durchführt**; ein verantwortungsloser und unsachgemäßer Gebrauch kann gefährlich werden: verursachen Sie keine Bewegung der Automatisierung, wenn sich Personen, Tiere oder Gegenstände in ihrem Aktionskreis befinden.

• **Kinder**: eine Automatisierungsanlage gewährleistet einen hohen Sicherheitsgrad und verhindert mit ihren Schutzsystemen, dass sie sich bei Anwesenheit von Personen und Gegenständen bewegt, und gewährleistet eine immer vorhersehbare und sichere Aktivierung. Als Vorsichtsmaßnahme sollte man aber Kindern verbieten, in der Nähe der Automatisierung zu spielen, und man sollte die Fernbedienungen nicht in der Reichweite von Kindern lassen: **es handelt sich nicht um ein Spiel!**

• **Störungen**. Schalten Sie die Stromversorgung zur Anlage ab, sobald Sie ein ungewöhnliches Verhalten der Automatisierung bemerken, und führen Sie die manuelle Entriegelung aus. Versuchen Sie nie, selbst Reparaturen auszuführen, sondern fordern Sie den Eingriff Ihres Vertrauensinstallateurs an: in der Zwischenzeit, nachdem Sie den Getriebemotor wie weiter vorne beschrieben entriegelt haben, kann die Anlage wie eine nicht automatisierte Vorrichtung funktionieren.

• **Wartung**. Wie jede Maschine benötigt auch Ihre Automatisierung eine regelmäßige Wartung, damit sie so lange wie möglich und in voller Sicherheit funktionieren kann. Vereinbaren Sie mit Ihrem Installateur einen programmierten Wartungsplan. Nice empfiehlt eine programmierte Wartung alle sechs Monate bei Normalgebrauch für den Haushalt, dieser Zeitraum kann aber je nachdem, wie häufig die Anlage benutzt wird, unterschiedlich sein. Arbeiten wie Wartung, Kontrollen und Reparaturen dürfen nur von Fachpersonal ausgeführt werden.

• Auch wenn Sie meinen, dass Sie wissen, wie das gemacht wird, ändern Sie die Anlage und die programmierten Parameter sowie die Einstellungen der Automatisierung nicht: diese Verantwortung steht Ihrem Installateur zu.

• Die Endabnahme, die periodischen Wartungen und eventuelle Reparaturen müssen von dem, der diese Arbeiten ausführt, belegt sein, und diese Belege müssen vom Besitzer der Anlage aufbewahrt werden.

• **Entsorgung**. Versichern Sie sich, dass die Entsorgung am Ende der Lebensdauer Ihrer Automatisierung von Fachpersonal gemacht wird und dass die Materialien nach den örtlich gültigen Vorschriften recycled oder entsorgt werden.

• **Im Falle von Defekten oder bei Stromausfall**. Solange Sie auf Ihren Installateur (oder bis der Strom wieder vorhanden ist, falls Ihre Anlage keine Pufferbatterie hat) warten, kann die Anlage wie eine beliebige nicht automatisierte Öffnungsvorrichtung betätigt werden. Dazu muss die manuelle Entriegelung ausgeführt werden. Dieser Vorgang, der einzige, den der Benutzer der Automatisierung ausführen kann, wurde mit besonderer Aufmerksamkeit von Nice behandelt, damit Sie diese Vorrichtung immer mit größter Einfachheit, ohne Werkzeug und ohne körperliche Anstrengungen betätigen können.

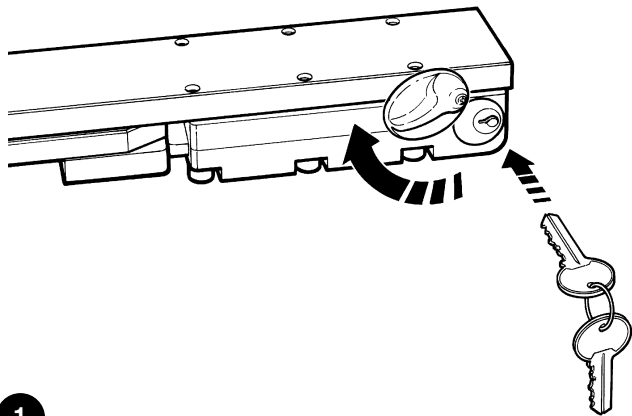
Handbedienung (Entriegelung mit Schlüssel und Hebel)

Die Handbedienung muss ausgeführt werden, wenn der Strom ausfällt oder Störungen der Anlage vorliegen.

Schlüsselentriegelung des Typs MEA2 (Abb. 1)

- A Den Schlosdeckel senken, wie auf der Abbildung gezeigt.
- B Den Schlüssel stecken und um 90° im Uhrzeigersinn drehen.
- C Den Torflügel von Hand betätigen (abb. 3)

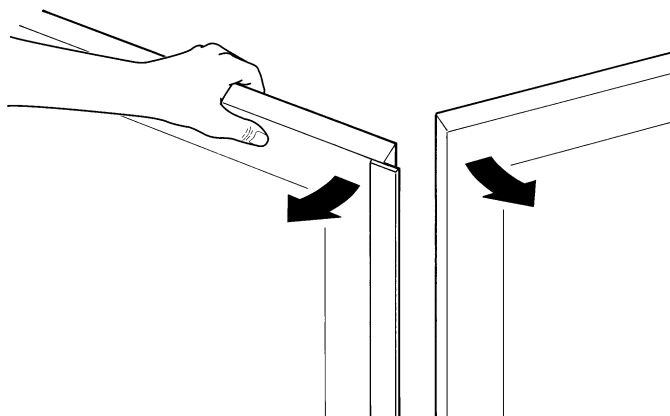
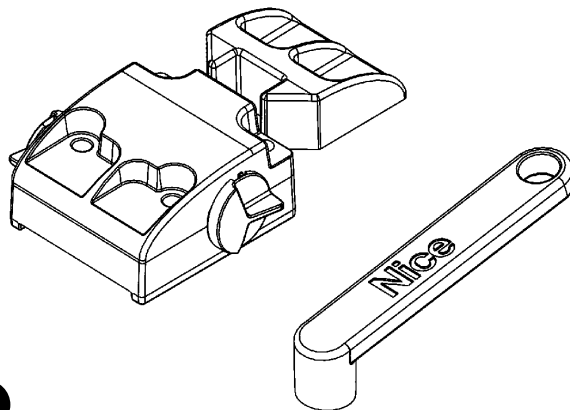
⚠ Das Tor wird bei der ersten elektrischen Betätigung automatisch funktionieren.



Hebelentriegelung des Typs MEA3 (Abb. 2)

- A Den Schlosdeckel senken, wie auf der Abbildung gezeigt.
- B Den Hebel stecken und um 90° im Uhrzeigersinn drehen.
- C Den Torflügel von Hand betätigen (abb. 3).

⚠ Das Tor wird bei der ersten elektrischen Betätigung automatisch funktionieren.



Sind Sie zufrieden? Wenn Sie eine neue Automatisierung für Ihr Haus wollen und sich an denselben Installateur und an Nice wenden, werden Sie sich die Beratung eines Fachmanns und die fortgeschrittensten Produkte auf dem Markt, aber auch den besten Betrieb und die größte Verträglichkeit zwischen den Automatisierungen zusichern.

Wir danken Ihnen, dass Sie diese Ratschläge gelesen haben, und wünschen Ihnen größte Zufriedenheit mit Ihrer neuen Anlage: wenden Sie sich für gegenwärtige oder zukünftige Bedarfsfälle vertrauensvoll an Ihren Installateur.

Advertencias

Este manual de instrucciones contiene informaciones importantes en materia de seguridad para la instalación; es necesario leer detenidamente todas las instrucciones antes de comenzar la instalación. Conserve este manual en buenas condiciones para su consultación posterior. Considerando las situaciones de peligro que pueden generarse durante la instalación y el uso de METRO es oportuno que también la instalación sea realizada respetando plenamente las leyes, normas y reglamentos. En este capítulo se indicarán las advertencias de tipo general; otras advertencias importantes están presentes en los capítulos "2.1 Controles preliminares" y "5 Ensayo y puesta en servicio".

Según la legislación europea más reciente, la realización de una puerta o cancela automática entra en el ámbito de las disposiciones de la Directiva 98/37/CE (Directiva de Máquinas) y, en particular, de las normas: EN 12445; EN 12453 y EN 12635 que permiten declarar la presunción de conformidad.

Más informaciones, directrices para el análisis de los riesgos y para la realización del Expediente Técnico están disponibles en: "www.nicefor-you.com".

- Este manual está destinado exclusivamente a personal técnico cualificado para la instalación. Salvo el anexo específico que el instalador se encargará de separar, "Instrucciones y advertencias destinadas al usuario del motorreductor METRO", ninguna de las informaciones aquí incluidas puede ser de interés para el usuario final.
- Está prohibido utilizar el METRO con una finalidad diferente de aquella dispuesta en estas instrucciones; un uso inadecuado puede causar peligros o daños a las personas o bienes.
- Antes de comenzar la instalación es oportuno efectuar un análisis de los riesgos que incluya la lista de los requisitos esenciales de seguridad previstos en el anexo I de la Directiva de Máquinas, indicando las soluciones correspondientes adoptadas.

Recuérdese que el análisis de los riesgos es uno de los documentos que forman el "expediente técnico" del automatismo.

- Compruebe si es necesario incorporar otros dispositivos que puedan servir para completar el automatismo con METRO según la situación de empleo específica y los peligros presentes: por ejemplo, deben considerarse los peligros de impacto, aplastamiento, corte, arrastre, etc. y otros peligros en general.
- No modifique ninguna parte salvo que esté previsto en estas instrucciones; los trabajos de este tipo pueden causar solamente desperfectos; NICE no es responsable de los daños que deriven de productos modificados.
- Durante la instalación y el uso procure que no puedan entrar elementos sólidos o líquidos dentro de la central o de otros dispositivos abiertos; de ser oportuno, diríjase al servicio de asistencia NICE; el uso de METRO en situaciones análogas puede originar peligros.
- El automatismo no puede utilizarse antes de haberlo puesto en servicio tal como especificado en el capítulo "5 Ensayo y puesta en servicio".
- El material de embalaje de METRO debe eliminarse respetando la normativa local.
- Si el desperfecto no pudiera resolverse utilizando las informaciones indicadas en este manual, diríjase al servicio de asistencia NICE.
- Si se desconectaran los interruptores automáticos o los fusibles, antes de restablecerlos hay que localizar y eliminar la avería.
- **Antes de acceder a los bornes de las conexiones de METRO desconecte todos los circuitos de alimentación;** si el dispositivo de desconexión no queda a la vista colóquelo un cartel que diga "ATENCIÓN MANTENIMIENTO EN CURSO".

1) Descripción del producto

METRO es un motorreductor destinado a la automatización de una puerta de batiente de una o dos hojas.

⚠ Queda prohibido un empleo diferente de aquel antedicho y en condiciones diferentes de aquellas previstas en el manual.

METRO funciona con energía eléctrica, si se corta la alimentación eléctrica, es posible desbloquear el motorreductor con llaves específicas y mover las hojas manualmente.

2) Instalación

2.1) Controles preliminares

Antes de proceder con la instalación, es necesario comprobar que la estructura sea adecuada, es decir, que respete las normas vigentes; controle especialmente que:

- la puerta no tenga puntos de fricción tanto durante el cierre como durante la apertura;
- la puerta esté compensada correctamente, es decir que al detenerla en cualquier posición no tienda a moverse.
- la carrera de la puerta sea silenciosa y regular;
- la zona de fijación del motorreductor permita una maniobra manual fácil y segura;

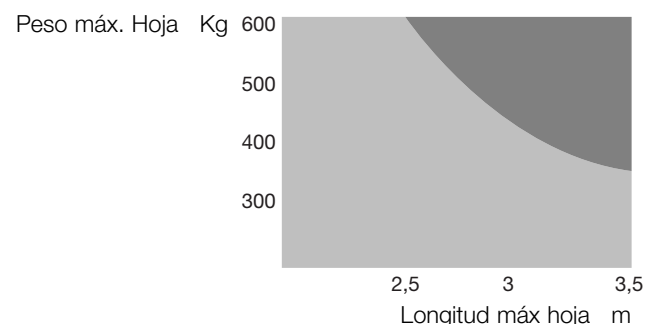
- el embalaje esté íntegro
- Controle que la zona de fijación sea compatible con el tamaño de la caja (**fig.1**)
- prevea un tope de parada de cierre y uno, si fuera posible, de apertura.

⚠ Recuerde que METRO motoriza una puerta (de una o dos hojas) que es eficiente y segura y no remedia los defectos procurados por una instalación inadecuada o por un mantenimiento carente.

2.2) Límites de empleo

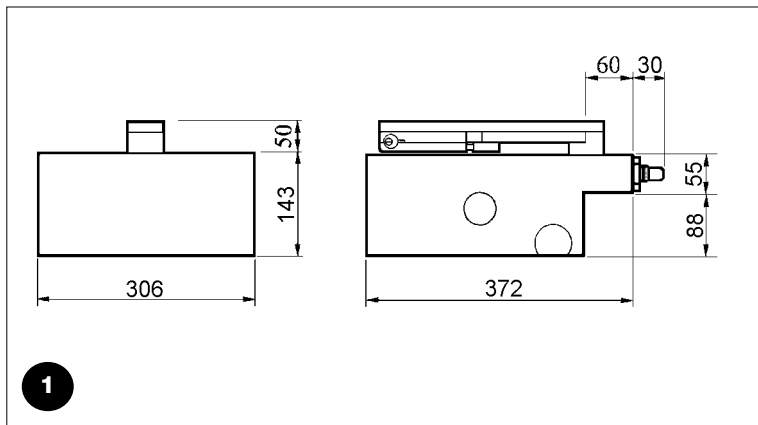
La forma, la altura de la puerta (ej. ciega) y las condiciones climáticas (ej. viento fuerte) pueden disminuir notablemente los valores indicados en el gráfico de aquí al lado.

* Si la puerta mide más de 2,5 m de longitud por cada hoja, se aconseja instalar una cerradura eléctrica (PLA10 o bien PLA11).



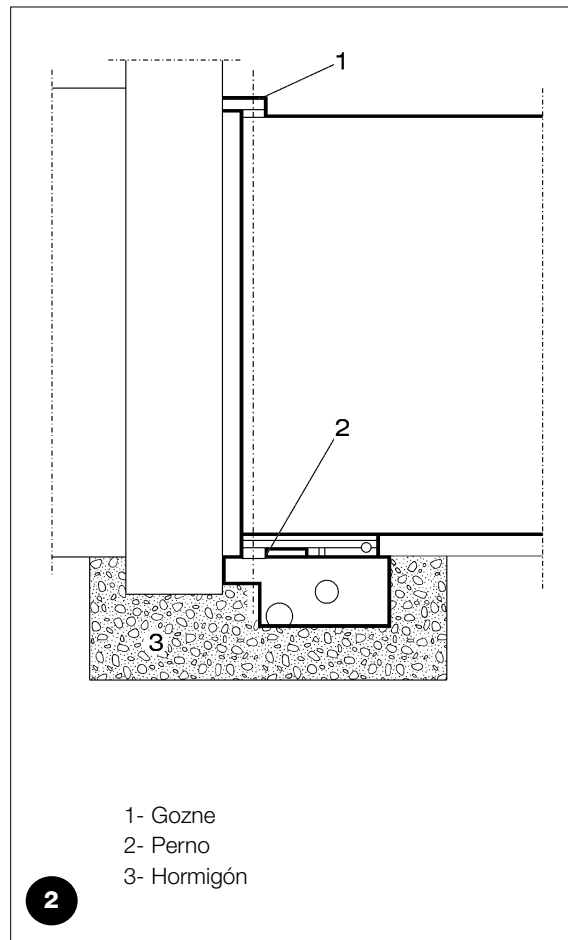
3) Fijación

3.1) Medidas y colocación de la caja de cimentación



1

- 1 Realice un pozo de cimentación según las medidas del motorreductor; se aconseja realizar un buen drenaje para que el agua no se estanque.
- 2 Fije a la caja el accesorio para el fin de carrera de apertura (véase el párrafo 4) siguiendo con atención las instrucciones dadas en la figura para evitar una fijación incorrecta.
- 3 Coloque la caja adentro de la excavación, con el perno alineado con el eje de la bisagra (**fig. 2**)
- 4 Haga llegar un tubo para que pasen los cables eléctricos y uno para el drenaje.
- 5 Sumerja en el hormigón la caja de cimentación, nivelándola correctamente.
- 6 Introduzca en el perno de la caja la brida de mando, interponiendo la bola suministrada.
- 7 Apoye la hoja de la puerta sobre la palanca de desbloqueo y suéldela perfectamente.
- 8 Engrase mediante la boquilla de engrase.

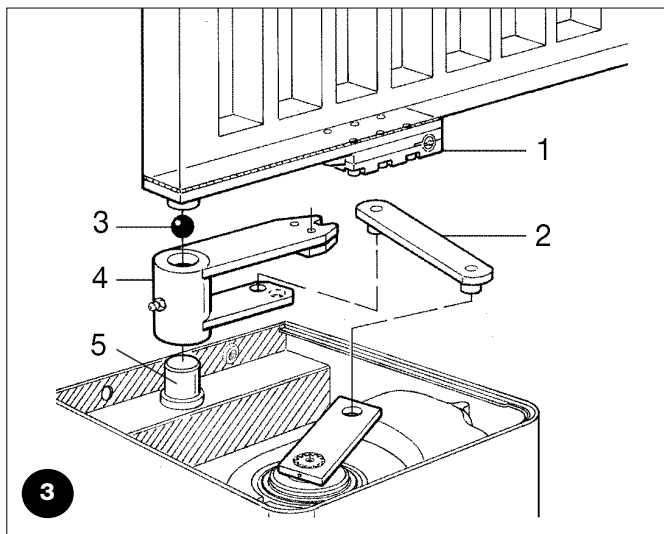


2

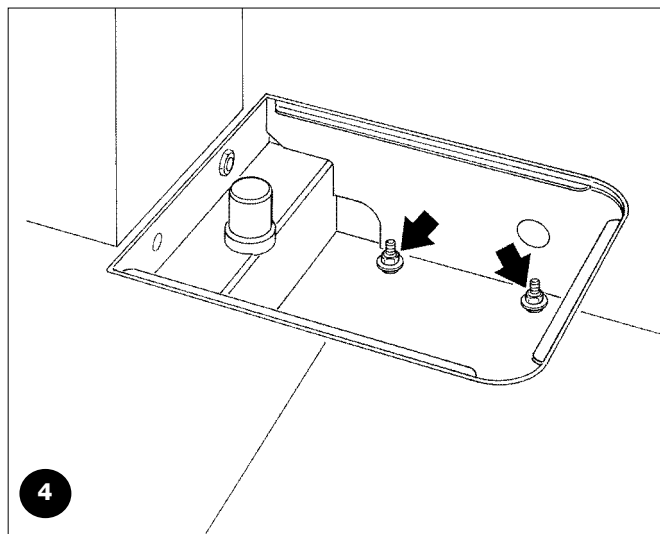
- 1- Gozne
- 2- Perno
- 3- Hormigón

3.2) Instalación del motorreductor METRO

- 1 Quite las tuercas y arandelas indicadas en la figura de la derecha (**fig. 4**).
- 2 Coloque el motorreductor en el interior de la caja de cimentación, controlando que quede montado en el sentido exacto.
- 3 Fije el estribo para el fin de carrera de cierre en el agujero correspondiente (**párrafo 4**).
- 4 Bloquee el motorreductor con las arandelas grower y con las 4 tuercas de bloqueo que se encuentran en la caja de los accesorios.
- 5 Conecte el motorreductor a la puerta, utilizando la palanca de conexión (2). (**fig. 3**)



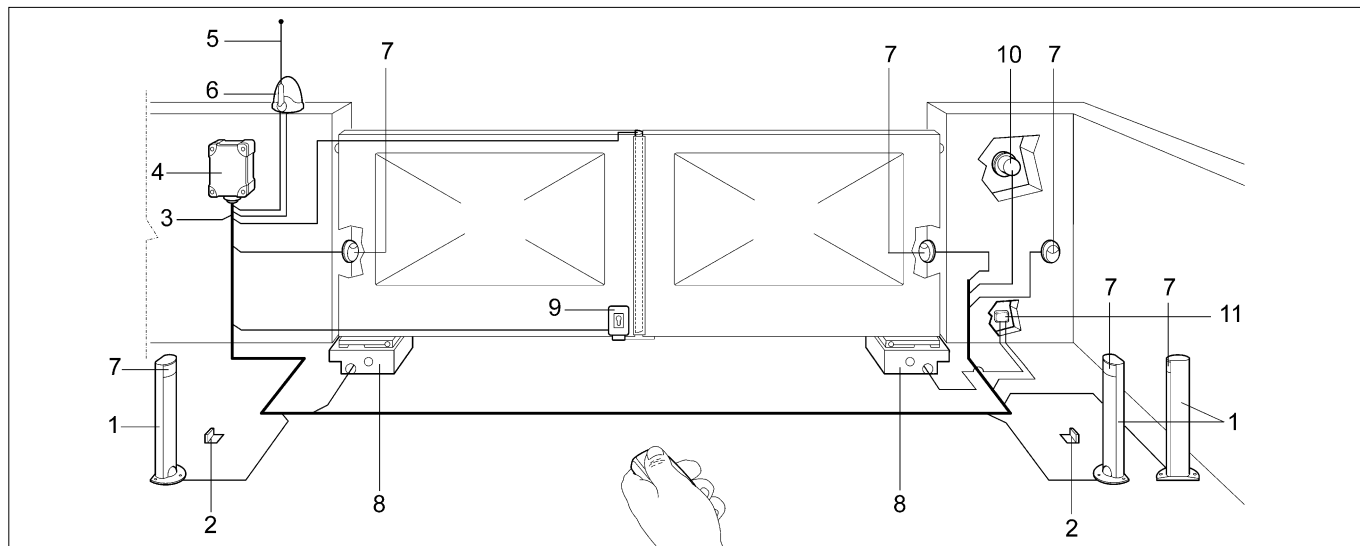
3



4

- 1 Palanca de desbloqueo
- 2 Palanca de conexión
- 3 Bola
- 4 Brida de mando
- 5 Perno

3.3) Instalación típica



1 Columna para fotocélula

2 Par de topes de apertura

3 Línea 230V

4 Cuadro de mando (central eléctrica)

5 Antena

6 Luz intermitente

7 Fotocélula

8 Caja con actuador METRO

9 Electrocerradura vertical.

10 Selector de llave o teclado digital.

11 Caja de derivación (no suministrada).

3.4) Conexiones eléctricas

Para el ME3000 y ME3010 conecte los cables de la siguiente manera:

Negro = Fase "abrir"

Marrón = Fase "cerrar"

Gris = Común

Amarillo/Verde = ⊕

Para el ME3024 conecte los cables de la siguiente manera:

Azul = Alimentación motor

Marrón = Alimentación motor

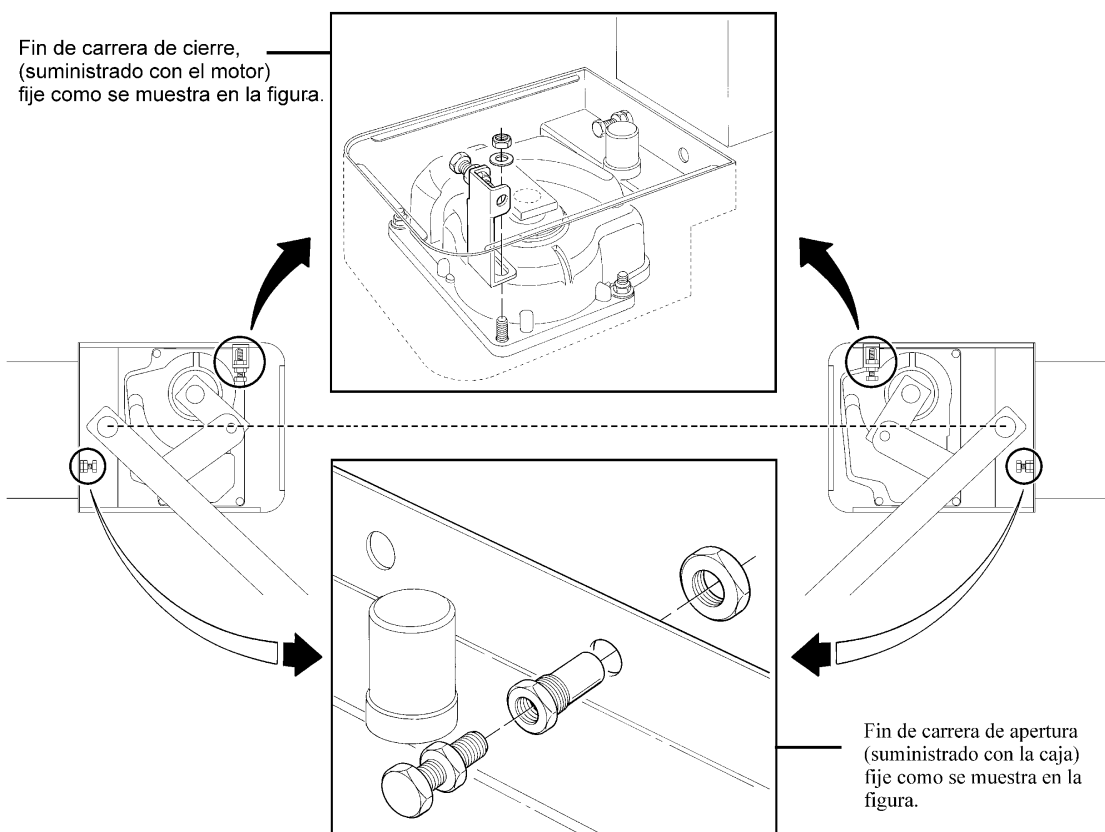
Negro = Encoder

Gris = Encoder

Amarillo/Verde = ⊕

⚠ Los motores están dotados de un cable de 2 metros de longitud. ESTÁ PROHIBIDO realizar uniones en el interior de la caja; si tuviera que realizar conexiones, use únicamente la caja de derivación específica (no suministrada) para mantener la seguridad de la instalación.

4) Instalación de los fines de carrera



Fin de carrera de cierre,
(suministrado con el motor)
fije como se muestra en la figura.

Fin de carrera de apertura
(suministrado con la caja)
fije como se muestra en la figura.

5) Ensayo y puesta en servicio

El ensayo de toda la instalación debe ser efectuado por personal experto y cualificado, que debe realizar los ensayos requeridos en función del riesgo presente.

Para el ensayo de METRO siga este procedimiento:

- cierre la puerta;
- corte la alimentación de la central;
- Desbloquee el motorreductor de la hoja tal como indicado en el párrafo "Desbloqueo manual (desbloqueo con llave y con palanca)" en el capítulo "Instrucciones y advertencias destinadas al usuario del motorreductor METRO";
- mueva manualmente la puerta hasta el final de su carrera;
- controle que la puerta durante el movimiento no presente puntos de fricción;
- controle que la puerta detenida en cualquier punto y desbloquee, no tienda a moverse;
- controle que los sistemas de seguridad y los topes mecánicos estén en buenas condiciones;
- controle que las conexiones roscadas estén bien apretadas;
- limpie el interior de la caja y controle que el drenaje del agua funcione correctamente;
- al concluir los controles, bloquee nuevamente el motorreductor y conecte la alimentación eléctrica de la central;
- METRO no está dotado de dispositivo de regulación de par; por lo tanto, dicha regulación la realiza la central de mando;
- mida la fuerza de choque, tal como previsto por las normas EN12453 y EN12445.

6) Mantenimiento

El mantenimiento de METRO no requiere grandes trabajos; un control programado cada seis meses permite una mayor duración del motorreductor y un funcionamiento correcto y seguro del sistema.

El mantenimiento consiste simplemente en repetir el procedimiento de ensayo.

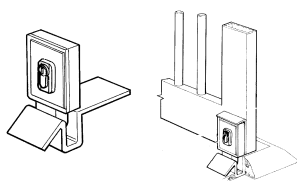
6.1) Desguace

METRO está formado de varios tipos de materiales. El desguace de dichos materiales se debe efectuar respetando las normas locales vigentes. En el caso de desguace de la automatización, no existen peligros o riesgos particulares causados por la misma automatización.

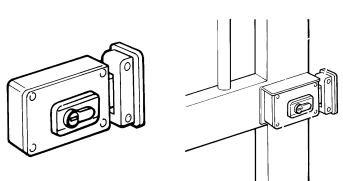
Si hubiera que efectuar una recogida selectiva, es oportuno separar los materiales por tipo (piezas eléctricas, aluminio, plástico, etc.).

7) Accesorios bajo pedido

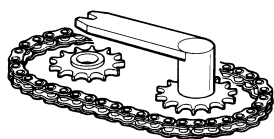
PLA10 Electrocerradura 12 Vca vertical



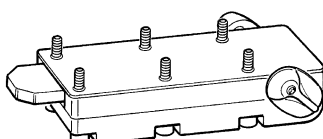
PLA11 Electrocerradura 12 Vca horizontal



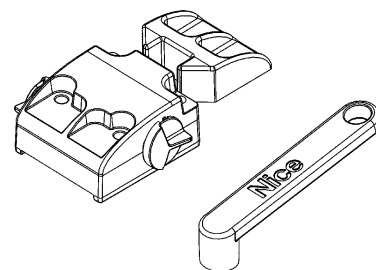
MEA1 Dispositivo para apertura a 360°



MEA2 Desbloqueo con cerradura



MEA3 Desbloqueo con palanca específica



8) Technische Merkmale

Nice S.p.a., a fin de mejorar sus productos, se reserva el derecho de modificar las características técnicas en cualquier momento y sin previo aviso, garantizando la funcionalidad y el uso previstos.

Todas las características técnicas indicadas se refieren a una temperatura ambiente de 20°C (±5°C)

Modelle und Merkmale

	Maßeinheit	ME3000	ME3010	ME3000L	ME3000/110	ME3024
Alimentación	(Vac-Hz)	230V-50Hz	230V-50Hz	230V-50Hz	110V-60Hz	
	(Vdc)					24
Corriente absorbida	(A)	1.2	1.2	1.3	2.4	5
Potencia absorbida	(W)	250	250	300	250	120
Condensador incorporado	(uF)	10	10	10	30	
Grado de protección	(IP)	67	67	67	67	67
Velocidad	(Rpm)	1.14	1.14	0.8	1.4	1.4
Par	(Nm)	300	300	250	300	250
Temperatura de funcionamiento	(°C Min/Max)	-20° ÷ +50°	-20° ÷ +50°	-20° ÷ +50°	-20° ÷ +50°	-20° ÷ +50°
Protección térmica	(°C)	140°	140°	140°	140°	
Ciclo de trabajo	(%)	30	40	30	30	80
Peso	(Kg)	11	11.5	11	11	11

Instrucciones y advertencias destinadas al usuario del motorreductor METRO

Felicitaciones por haber elegido un producto Nice para su automatización!

Nice S.p.A. produce componentes para la automatización de cancelas, puertas, persianas y toldos, tales como: motorreductores, centrales de mando, radiomandos, luces intermitentes, fotocélulas y accesorios.

Los productos Nice son fabricados sólo con materiales de calidad y excelentes mecanizados. Nuestra empresa busca constantemente soluciones innovadoras que simplifiquen aún más el uso de nuestros aparatos, los que son cuidados bajo todo aspecto (técnico, estético y ergonómico): en la gran gama Nice, su instalador puede escoger el producto que satisfaga de la mejor manera sus exigencias.

Nice no es quien escoge los componentes de su automatización, este es un trabajo de análisis, evaluación, elección de los materiales y realización de la instalación efectuado por su instalador de confianza.

Por lo tanto, cada automatización es única y sólo su instalador puede ejecutar una instalación a medida de sus exigencias (puesto que cuenta con la experiencia y profesionalidad necesarias), segura y fiable en el tiempo y, sobre todo, que respete las normativas vigentes.

Una instalación de automatización es una gran comodidad, además de un sistema de seguridad válido y, con un mantenimiento reducido y sencillo, está destinada a durar por mucho tiempo.

Aunque bien su automatización satisfaga el nivel de seguridad requerido por las normativas, esto no excluye la existencia de un "riesgo residual", es decir, la posibilidad de que se puedan crear situaciones de peligro causadas por un uso inconsciente o incorrecto. Por dicho motivo, a continuación le damos algunos consejos sobre cómo comportarse para evitar inconvenientes:

- **Antes de usar por primera vez la automatización**, pida a su instalador que le explique el origen de los riesgos residuales y lea este manual de **instrucciones y advertencias para el usuario** entregado por el instalador. Conserve el manual por cualquier problema que pueda surgir y recuerde entregarlo a un posible nuevo dueño de la automatización.
- **La automatización ejecuta fielmente los mandos dados**: un uso inconsciente o inadecuado puede ser peligroso. Por consiguiente, no accione la automatización cuando en su radio de acción haya personas, animales o cosas.
- **Niños**: una instalación de automatización garantiza un elevado grado de seguridad, impidiendo, gracias a sus sistemas de detección, que se mueva ante la presencia de personas o cosas y garantizando una activación previsible y segura. Procure que los niños no jueguen cerca de la automatización y mantenga los controles remotos lejos de su alcance: **no son un juguete!**
- **Desperfectos**: ni bien note que la automatización no funciona correctamente, corte la alimentación eléctrica de la instalación y realice el desbloqueo manual. No realice ninguna reparación y llame a su instalador de confianza: una vez desbloqueado el motorreductor, la instalación podrá funcionar manualmente como un cerramiento no automatizado.
- **Mantenimiento**: para garantizar una larga vida útil y para un funcionamiento seguro, la instalación, al igual que cualquier otra maquinaria, requiere un mantenimiento periódico. Establezca con su instalador un plan de mantenimiento con frecuencia periódica. Nice aconseja realizar un mantenimiento cada 6 meses para un uso residencial normal, que puede variar según la intensidad de uso. Cualquier tipo de control, mantenimiento o reparación debe ser realizado sólo por personal cualificado.
- Aunque piense que lo sabe hacer, no modifique la instalación ni los parámetros de programación y regulación del automatismo: la responsabilidad es de su instalador.
- El ensayo final, los trabajos de mantenimiento periódico y las posibles reparaciones deben ser documentados por quien los efectúa y los documentos tienen que ser conservados por el dueño de la instalación.
- **Desguace**: al final de la vida útil de la automatización, el desguace debe ser realizado por personal cualificado y los materiales deben ser reciclados o eliminados según las normas locales vigentes.
- **En el caso de roturas o falta de alimentación**: esperando la intervención de su instalador, o la llegada de la energía eléctrica si la instalación no está dotada de baterías compensadoras, la automatización puede accionarse igual que cualquier cerramiento no automatizado. A tal fin es necesario realizar el desbloqueo manual (única operación que el usuario puede realizar): dicha operación ha sido estudiada por Nice para facilitarle su empleo, sin necesidad de utilizar herramientas ni hacer esfuerzos físicos.

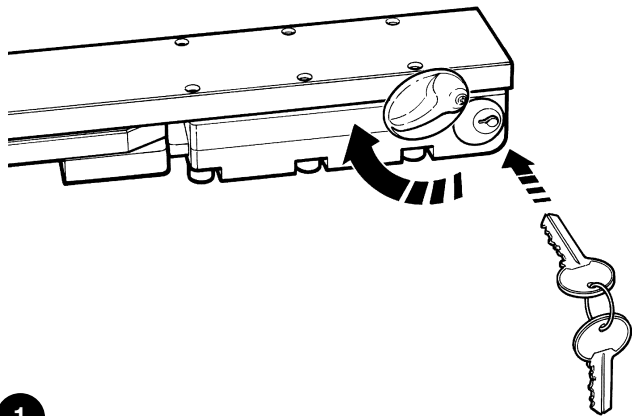
Maniobra manual (desbloqueo con llave y con palanca)

La operación manual debe efectuarse cuando falte la corriente o cuando se produzca algún desperfecto en la instalación.

Desbloqueo con LLAVE tipo MEA2 (fig. 1)

- A Baje la tapa que cubre la cerradura, como se muestra en la figura.
- B Introduzca la llave y gírela 90° en el sentido horario.
- C Mueva manualmente la hoja (fig.3).

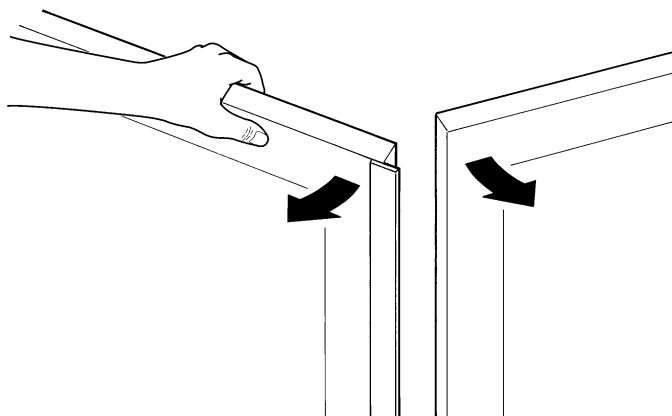
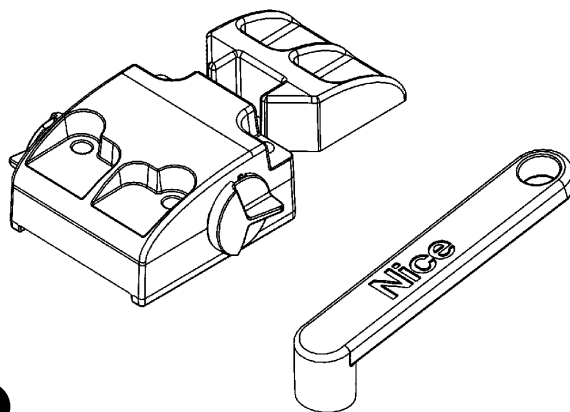
⚠ El funcionamiento automático se producirá en la primera maniobra eléctrica.



Desbloqueo con palanca tipo MEA3 (fig. 2)

- A Baje la tapa que cubre la cerradura, como se muestra en la figura.
- B Introduzca la palanca y gírela 90° en el sentido horario.
- C Mueva manualmente la hoja (fig.3).

⚠ El funcionamiento automático se producirá en la primera maniobra eléctrica.



Está Ud. satisfecho? Si Ud. deseara montar en su casa una nueva automatización, contacte al mismo instalador y a Nice, así podrá contar con la garantía del asesoramiento de un experto y los productos más modernos del mercado, el mejor funcionamiento y la máxima compatibilidad de las automatizaciones.

Le agradecemos por haber leído estas recomendaciones y esperamos que esté satisfecho de su nueva instalación: ante cualquier exigencia, contacte con confianza a su instalador.

Ostrzeżenia

Ta instrukcja zawiera ważne informacje dotyczące bezpieczeństwa podczas instalowania, należy się z nią zapoznać przed rozpoczęciem prac instalacyjnych. Niniejsza instrukcję należy przechowywać w celu ewentualnej, przyszłej konsultacji. Biorąc pod uwagę niebezpieczeństwa, jakie mogą wystąpić podczas instalowania i użytkowania METRO, dla zwiększenia bezpieczeństwa, instalacja musi odpowiadać przepisom, normom i uregulowaniom prawnym. W tym rozdziale są przywołane wszystkie ostrzeżenia ogólne, inne, ważne ostrzeżenia są podane w rozdziałach "3.1 Kontrola wstępna"; "5 Odbiór i uruchomienie do pracy".

Według obowiązujących przepisów europejskich, wykonanie drzwi lub bramy automatycznej musi być zgodne z Dyrektywą 98/37/CE (Dyrektywa Maszyn), a w szczególności musi odpowiadać normom: EN 12445; EN 12453 i EN 12635, które pozwalają na uzyskanie świadectwa zgodności.

Dodatkowe informacje, wytyczne do analiz zagrożeń i Książka Techniczna, są dostępne na: www.niceforyou.com.

- Niniejsza instrukcja jest przeznaczona wyłącznie dla wykwalifikowanego personelu instalującego. Poza załączoną specyfikacją do oderwania dla instalatora, "Instrukcje i ostrzeżenia przeznaczone dla użytkownika siłownika METRO", żadna inna informacja zawarta w niniejszej broszurze nie jest potrzebna dla ostatecznego użytkownika!
- Użycie METRO do innych celów niż przewidziano w niniejszej instrukcji jest zabronione; użycie niezgodne z przeznaczeniem może być powodem niebezpieczeństwa lub wyrządzić szkody ludziom albo rzeczom.
- Przed rozpoczęciem instalowania należy wykonać analizę zagrożeń z wykazem podstawowych warunków bezpieczeństwa, przewidzianych w załączniku I Dyrektywy Maszyn, wskazując odpowiednie rozwiązania jakie należy zastosować.

Przypomina się, że analiza zagrożeń jest jednym z dokumentów składowych "książki technicznej" automatyzacji.

- Należy sprawdzić konieczność zastosowania dodatkowych urządzeń w celu skompletowania automatyzacji z METRO na podstawie istniejących warunków użytkowania i innych, występujących zagrożeń; muszą, na przykład, być wzięte pod uwagę zagrożenia wynikające z uderzenia, zgniecenia, wciągnięcia itp., i inne ogólne zagrożenia.
- Nie wykonywać żadnych zmian na żadnej z części, jeśli nie są przewidziane w niniejszej instrukcji; operacje tego rodzaju mogą jedynie spowodować niewłaściwe działanie; NICE nie bierze odpowiedzialności za szkody powstałe na zmodyfikowanej produkcie.
- Podczas instalowania i użytkowania, należy uważać, aby do wnętrza centrali i innych urządzeń otwartych nie dostały się elementy stałe lub płyny; ewentualnie należy zwrócić się do serwisu technicznego NICE; użytkowanie METRO w takich sytuacjach może spowodować niebezpieczeństwo.
- Automat nie może być użytkowany zanim nie zostanie dopuszczony do pracy, zgodnie z rozdziałem: "5 Odbiór i dopuszczenie do pracy".
- Opakowanie METRO musi być zlikwidowane zgodnie z miejscowymi przepisami.
- Gdy naprawa wykonana według wskazówek umieszczonych w niniejszej instrukcji nie da oczekiwanego efektu, należy skontaktować się z serwisem firmy NICE.
- Po zadziałaniu wyłączników automatycznych lub bezpieczników i przed ich przywróceniem do pierwotnej postaci, należy określić i wyeliminować usterkę.
- **Przed zbliżeniem się do zacisków złączy siłownika METRO odłączyć wszystkie instalacje zasilające;** jeśli urządzenie wyłączające jest niewidoczne z miejsca pracy, należy zawiesić tablicę "UWAGA - PRACE W TOKU".

1) Opis produktu

METRO jest siłownikiem przeznaczonym do automatyzacji jedno lub dwu skrzydłowej bramy.

⚠ Każde inne użytkowanie od powyżej opisanego i w warunkach innych od wskazanych w instrukcji jest zabronione.

METRO działa na energię elektryczną, gdy jest jej brak można odsprzęglić siłownik właściwym kluczem i otworzyć ręcznie.

2) Instalowanie

2.1) Kontrola wstępna

Przed przejściem do instalowania sprawdzić czy struktura jest właściwa, czyli, w innych słowach, odpowiada aktualnie obowiązującym normom i sprawdzić czy:

- przy otwieraniu i zamykaniu bramy nie ma punktów nadmiernego tarcia;
- brama jest wyważona, czyli zatrzymana w jakimkolwiek punkcie nie porusza się
- brama porusza się cicho i płynnie;
- miejsce gdzie ma być zamocowany siłownik jest bezpieczne i odpowiednie dla pracy montera;

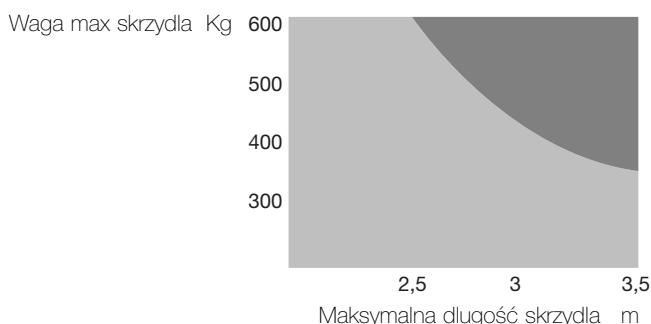
- opakowanie jest w integralnym
- Zweryfikować, czy miejsce na zainstalowanie siłownika jest odpowiednie dla wymiarów jego obudowy (**rys 1**)
- posiada zderzak krańcowy przy zamykaniu jak i otwieraniu.

⚠ Przypominamy, że METRO jest urządzeniem napędowym do bramy (jedno lub dwu skrzydłowej), wydajnym i pewnym, ale nie usuwa wad spowodowanych błędnym zainstalowaniem czy źle wykonanymi czynnościami konserwacyjnymi.

2.2) Ograniczenia w użytkowaniu

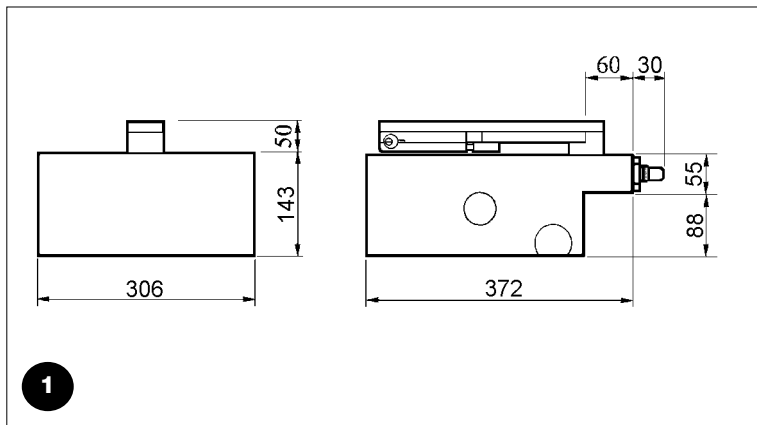
Forma, wysokość bramy (np. ślepa) i warunki klimatyczne (np. Silny wiatr) mogą zmniejszyć nawet znacznie wskazane w tabeli wartości.

* Jeśli każde skrzydło bramy jest dłuższe od 2,5 m zaleca się zainstalowania zamka elektrycznego (PLA10 lub PLA11).

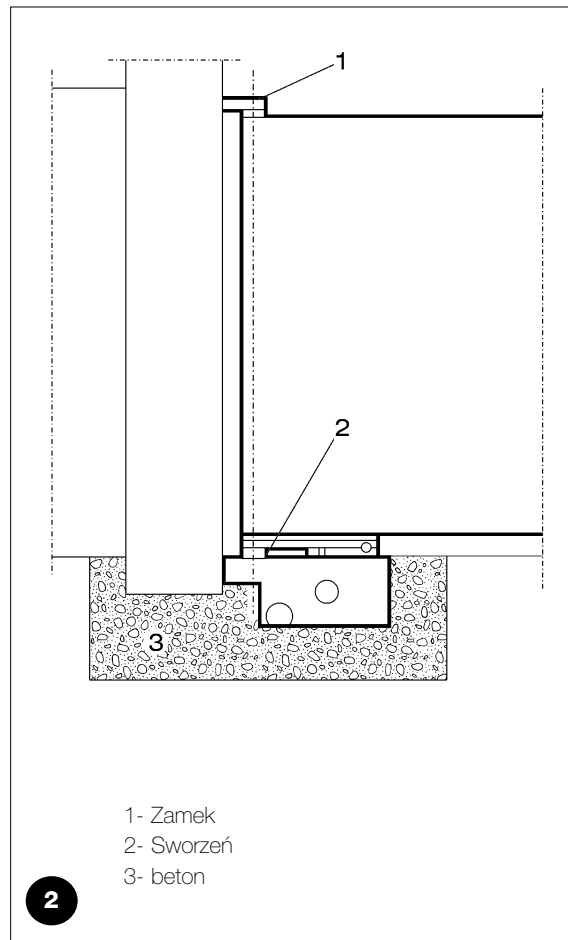


3) Przymocowanie

3.1) Wymiary gabarytowe i wykonanie skrzynki fundamentowej

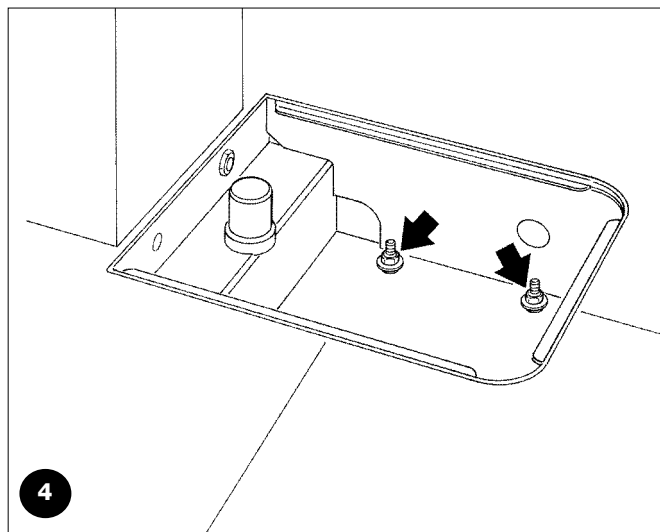
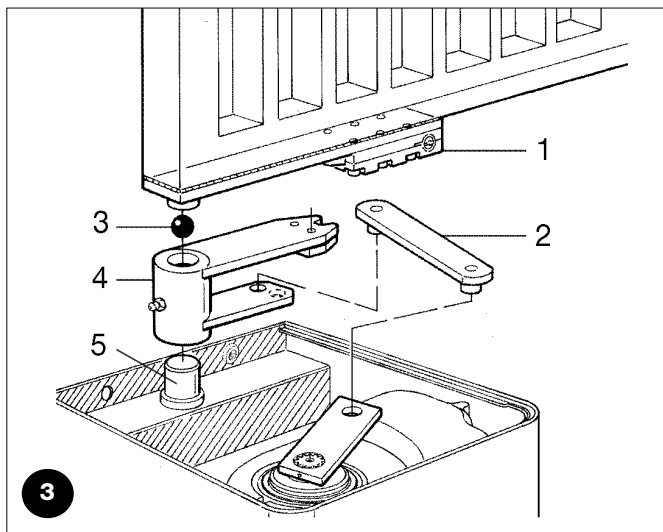


- 1 Na podstawie wymiarów gabarytowych wykopać dołek na fundamenta (patrz paragraf 4), zaplanować także kanał na odpływ wody.
- 2 Przymocować do skrzyni część na zderzak (patrz paragraf 4) według instrukcji wskazanych na rysunku tak, aby nie popełnić błędu przy mocowaniu.
- 3 Włożyć skrzynkę do dołka tak, aby sworzeń ustawiony był w linii z zamkiem (rys. 2)
- 4 Zaplanować przejście kanałika na przewody elektryczne i jeden na drenaż wody.
- 5 Zalać skrzynkę cementem i sprawdzić ustawienie poziomnicą.
- 6 Założyć na sworzeń skrzyni listwa sterująca odblokady uprzednim podłożeniem odstręzionej kulki.
- 7 Oprzeć skrzydło bramy na dźwigni odblokady odblokady przyspawać solidnie.
- 8 Posmarować smarownicą.



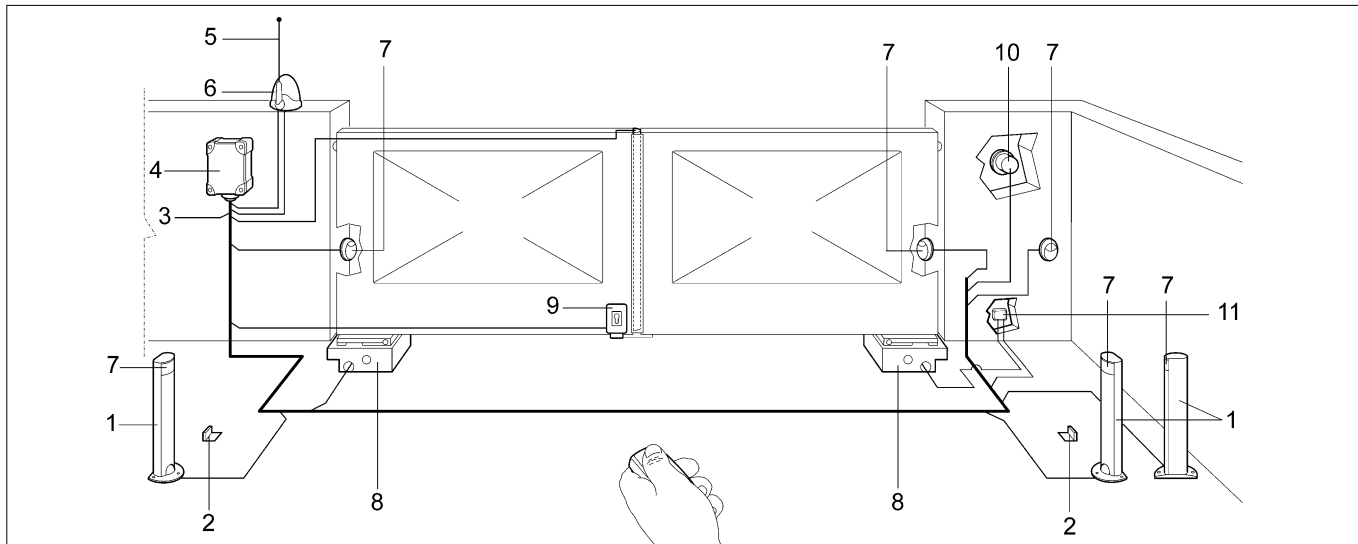
3.2) Instalowanie siłownika METRO

- 1 Odkręcić nakrętki i podkładki tak jak pokazano na rysunku po prawej stronie (rys. 4).
- 2 Umieścić siłownik wewnątrz skrzyni i sprawdzić, aby została ona dobrze włożona.
- 3 Zainstalować zderzak wyłącznika krańcowego zamykania we właściwym otworze (paragraf 4).
- 4 Zablokować siłownik z podkładkami grower i 4 nakrętki samoblokującej znajdujące się w skrzyni z akcesoriami.
- 5 Połączyć z dźwignią złączeniową (2) z siłownikiem do bramy (rys. 3).



- 1 Dźwignia do odblokady
- 2 Dźwignia złączeniowa
- 3 Kula
- 4 Listwa sterująca
- 5 Sworzeń

3.3) Typowa instalacja



- | | | |
|---|-------------------------------|--|
| 1 Kolumna na fotokomórki | 5 Antena | 9 Elettrozamek pionowy. |
| 2 Para zderzaków przy otwieraniu | 6 Lampa ostrzegawcza | 10 Selektor kluczowy lub klawiatura numeryczna |
| 3 Linia 230V | 7 Fotokomórka | 11 Skrzynka rozdzielcza (niedostarczona) |
| 4 Tablica sterująca (centralka elektryczna) | 8 Skrzynka z aktuatorem METRO | |

3.4) Połączenia elektryczne

Dla ME3000 i ME3010 połączyć przewody następująco:

- Czarny = Faza "otwiera"
- Brazowy = Faza "zamyka"
- Szary = Wspólny
- Żółto/zielony = ⊕

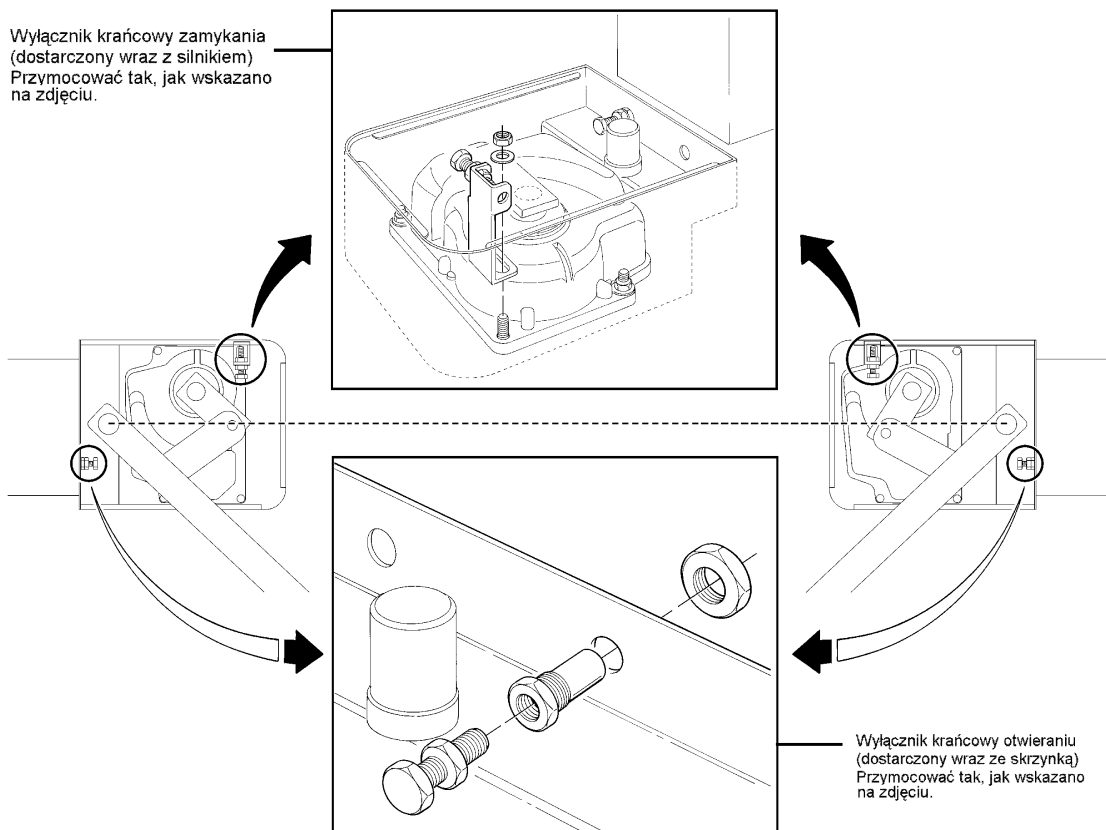
Dla ME3024 połączyć przewody następująco:

- Niebieski = Zasilenie silnika
- Brazowy = Zasilenie silnika
- Czarny = Enkoder
- Szary = Enkoder
- Żółto/zielony = ⊕

⚠ Silniki posiadają jedne 2 metrowy przewód.

ZABRANIA SIĘ wykonywać przedłużeń wewnątrz skrzyni, ewentualne połączenia wykonać w odpowiedniej skrzynce rozdzielczej (niedostarczona), co jest bardzo ważne dla utrzymania bezpieczeństwa instalacji.

4) Ustawienie wyłączników granicznych



5) Próby odbiorcze i rozruch.

Próby odbiorcze całej automatyki muszą być wykonane przez doświadczonego i wykwalifikowanego personel, który weźmie na siebie odpowiedzialność za wykonanie swojej pracy i świadomy jest ewentualnego niebezpieczeństwa.

Odbiór METRO wykonać według poniższej procedury:

- zamknąć bramę;
- odciąć zasilanie od centrali;
- Zablokować siłownik tak, jak podano w paragrafie "Odblokowanie i ruch ręczny" (odblokada na klucz i dźwignia) w rozdziale "Instrukcje i ostrzeżenia przeznaczone dla użytkownika siłownika METRO".
- otworzyć całkowicie ręcznie bramę;
- sprawdzić, czy podczas otwierania nie występują tarcia;

- sprawdzić, czy po zatrzymaniu w jakimkolwiek punkcie brama nie poruszy się;
- sprawdzić funkcjonowanie zabezpieczeń i stan zderzaków mechanicznych;
- sprawdzić czy połączenia są ściśnięte do oporu; wyczyścić wnętrze skrzyni i sprawdzić czy spust wody funkcjonuje prawidłowo;
- po wykonaniu wszystkich kontroli ponownie zablokować siłownik i podłączyć zasilanie centrali;
- METRO nie posiada urządzenia do regulacji momentu dlatego też taka regulacja zostanie wykonana przez centralę sterującą; zmierzyć siłę uderzenia według normy EN12453 i EN12445.

6) Konserwacja

Siłownik METRO nie wymaga specjalnych czynności konserwacyjnych, a przewidziana kontrola co sześć miesięcy gwarantuje dłuższą żywotność siłownika i bezpieczne funkcjonowanie systemu.

Czynności konserwacyjne polegają na powtórzeniu procedury prób odbiorczych.

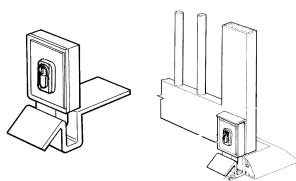
6.1) Likwidacja

Siłownik METRO wykonany jest z różnych surowców i utylizację poszczególnych elementów wykonać według aktualnie obowiązujących norm prawnych. Automatyka nie posiada części, które są zagrożeniem dla środowiska oraz nie istnieje żadne niebezpieczeństwo z nią związane.

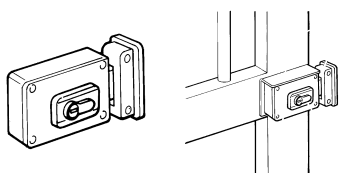
Należy pogrupować poszczególne elementy według surowców (części elektryczne, aluminium, plastik, itp.).

7) Akcesoria na życzenie

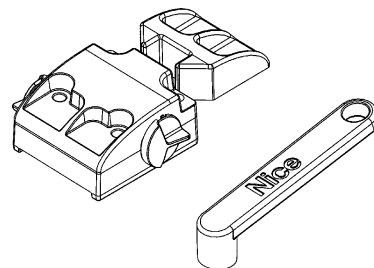
PLA10 Elettrozamek 12 Vca pionowy



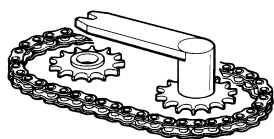
PLA11 Elettrozamek 12 Vca poziomy



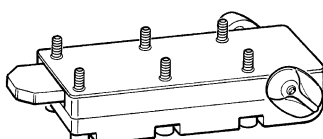
MEA3 Odblokada z dźwignią



MEA1 Urządzenie otwierające na 360°



MEA2 Odblokada na zamek



8) Dane techniczne

W celu ulepszenia swoich produktów, Nice S.p.A. zastrzega sobie prawo zmiany charakterystyk technicznych w jakimkolwiek momencie i bez uprzedzenia, utrzymując jednak funkcjonalność i przeznaczenie wyrobu.

Wszystkie charakterystyki techniczne tutaj podane odnoszą się do temperatury otoczenia 20°C (±5°C).

Modele i dane techniczne

	Jednostka miary	ME3000	ME3010	ME3000L	ME3000/110	ME3024
Zasilanie	(Vac-Hz)	230V-50Hz	230V-50Hz	230V-50Hz	110V-60Hz	
	(Vdc)					24
Prąd absorbowany	(A)	1.2	1.2	1.3	2.4	5
Moc absorbowana	(W)	250	250	300	250	120
Wbudowany kondensator	(uF)	10	10	10	30	
Stopień zabezpieczenia	(IP)	67	67	67	67	67
Prędkość	(Rpm)	1.14	1.14	0.8	1.4	1.4
Moment	(Nm)	300	300	250	300	250
Temperatura pracy	(°C Min/Max)	-20 ÷ +50°	-20 ÷ +50°	-20 ÷ +50°	-20 ÷ +50°	-20 ÷ +50°
Termo zabezpieczenie	(°C)	140	140	140	140	
Cykl pracy	(%)	30	40	30	30	80
Waga	(Kg)	11	11.5	11	11	11

Gratulujemy wyboru automatyki firmy Nice!

Nice S.p.A. produkuje elementy do automatyzacji bram, drzwi, bram rolowanych, rolet i markiz: siłowniki, centrale sterujące, piloty, lampy ostrzegawcze, fotokomórki i akcesoria

Firma Nice stosuje w swoich produktach wyłącznie surowce wysokiej jakości i, z powołania, poszukuje nowych rozwiązań innowacyjnych maksymalnie ułatwiających użytkowanie tych urządzeń. Elementy te są technicznie wysokiej jakości, estetyczne i z dokładnie opracowaną ergonomią: z zestawu produktów Nice wasz instalator z pewnością wybierze produkt, który najbardziej odpowiada waszym wymaganiom. Wasza automatyka nie jest produktem firmy Nice, ale jest dziełem sztuki zrealizowanym w wyniku wieloletnich analiz, obliczeń, wyboru surowców, a realizacja tej instalacji powierzona jest waszemu instalatorowi.

Każda automatyka jest jedyna w swoim rodzaju. Gdy wasz instalator posiada wystarczające doświadczenie i niezbędną wiedzę do jej wykonania to automatyka na pewno będzie odpowiadała waszym wymaganiom, będzie trwała i niezawodna, a przede wszystkim będzie wykonana zgodnie z aktualnie obowiązującymi normami prawnymi.

Automatyka jest wygodnym rozwiązaniem, posiada funkcjonalny system zabezpieczający i gdy jest zadbane będzie wam służyć wiele lat.

Gdy automatyka spełnia wasze wymagania w zakresie bezpieczeństwa i zgodnie z normami prawnymi nie znaczy to, że nie istnieją inne niebezpieczeństwa. Mogą się bowiem utworzyć sytuacje niebezpieczne spowodowane nieodpowiedzialnym i błędnym użytkowaniem. Dlatego też chcemy przekazać wam użyteczne wskazówki w celu uniknięcia takich niekorzystnych sytuacji:

• **Przed pierwszym uruchomieniem automatyki**

należy poprosić instalatora o dokładne przedstawienie ewentualnych niebezpieczeństw. Przeczytać **instrukcję i ostrzeżenia dla instalatora**, którą wam przekazał. Należy przechowywać instrukcje w celu możliwych późniejszych konsultacji i przekazać ją ewentualnemu następnemu użytkownikowi bramy.

• **Wasz automat jest maszyną, która dokładnie wykonuje wasze polecenia;**

niewłaściwe lub nieuprawnione użycie może stać się niebezpieczne: nie sterujcie ruchem bramy, jeśli w jej pobliżu znajdują się osoby, zwierzęta lub przedmioty.

• **Dzieci:** automatyka gwarantuje wysoki stopień bezpieczeństwa. Zatrzymuje ruch, gdy jej system zabezpieczający odczyta obecność osób lub rzeczy i gwarantuje uaktywnienie tego systemu w sposób pewny i przewidziany. Bezpieczniej jednak jest zabronić dzieciom bawienia się w pobliżu automatyki jak również pozostawionymi bez nadzoru pilotami, aby uniknąć nieumyślnego włączenia: **to nie zabawka!**

• **Usterki:** Gdy zauważy się jakiegokolwiek niewłaściwe zachowanie automatyki należy odłączyć od niej zasilanie elektryczne i wysprzęglić ręcznie. Nie próbujcie sami wykonać jakiegokolwiek naprawy, lecz zwróćcie się o pomoc do waszego zaufanego instalatora: wezwać uprawnionego instalatora: brama może funkcjonować również bez automatyki.

• **Czynności konserwacyjne.** Automat, jak każda maszyna, wymaga okresowych czynności konserwacyjnych, co gwarantuje jej bezpieczne i długoletnie funkcjonowanie. Uzgodnić z waszym instalatorem program okresowych przeglądów konserwacyjnych. Firma Nice poleca, aby przeglądy wykonywać co sześć miesięcy, ale zależy to też od intensywności użytkowania. Wszelkie czynności związane z kontrolą, konserwacją czy naprawą zlecić tylko wykwalifikowanemu technikowi.

• Nawet jeśli uważacie że potraficie, nie modyfikujcie urządzenia i parametrów programowania oraz nie regulujcie automatyki: należy to do waszego instalatora

• Kontrola końcowa, okresowe przeglądy i ewentualne naprawy mają być udokumentowane przez osobę wykonującą te czynności: dokumenty te ma przechowywać właściciel instalacji.

• **Złomowanie.** Po zakończeniu okresu użytkowania automatyki dopilnujcie, aby likwidacja została przeprowadzona przez wykwalifikowany personel i aby materiały zostały poddane recyklingowi lub utylizacji zgodnie z obowiązującymi przepisami.

• **W wypadku uszkodzenia lub braku zasilania.**

Oczekując na przybycie instalatora (lub na powrót energii elektrycznej oraz gdy instalacja nie posiada akumulatorów awaryjnych) urządzenie może być uruchamiane ręcznie, czyli jak każde inne urządzenie nieautomatyczne. Wysprzęglić urządzenie ręcznie: ta czynność jest jedyną czynnością, którą może wykonać użytkownik. Jest to funkcja dokładnie opracowana przez firmę Nice w celu ułatwienia jej obsługi bez stosowania narzędzi i wysiłku fizycznego.

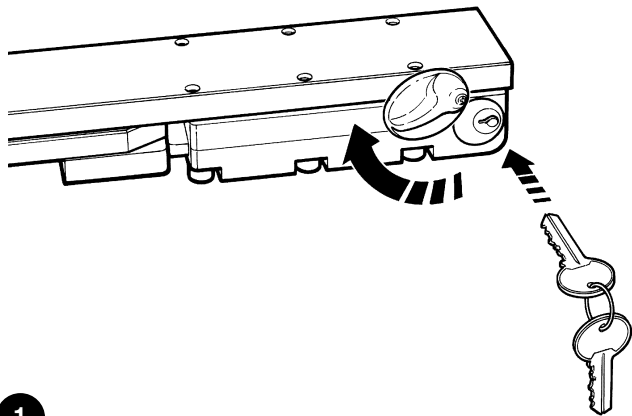
Ruch ręczny (odblokada na klucz i z dźwignią)

Czynności ręczne należy wykonać w wypadku braku prądu lub w wypadku zaistnienia awarii urządzenia.

Odblokada na KLUCZ typu MEA2 (rys. 1)

- A Obniżyć pokrywkę zamku tak, jak wskazano na rysunku.
- B Włożyć klucz i przekręcić o 90° w kierunku ruchu wskazówek zegara.
- C Ręcznie otworzyć skrzydło (rys. 3).

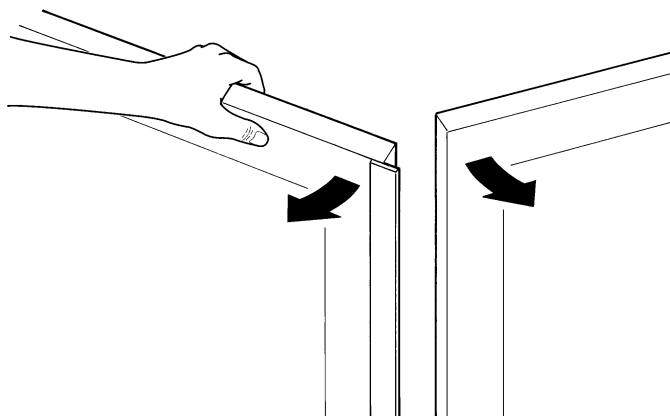
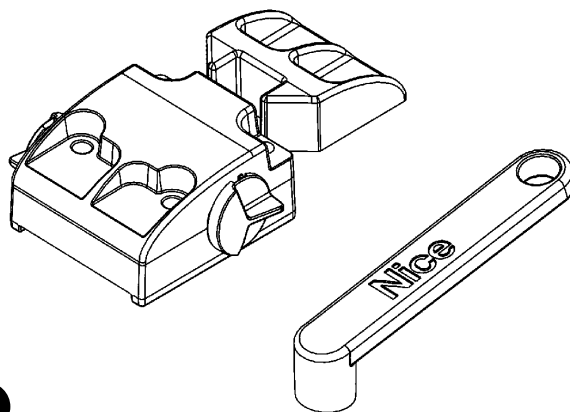
⚠ Funkcjonowanie automatyczne przywróci przy pierwszym ruchu elektrycznym.



Odblokada z dźwignią typu MEA3 (rys. 2)

- A Obniżyć pokrywkę zamku tak, jak wskazano na rysunku.
- B Włożyć dźwignię i przekręcić o 90° w kierunku ruchu wskazówek zegara.
- C Ręcznie otworzyć skrzydło (rys. 3).

⚠ Funkcjonowanie automatyczne przywróci przy pierwszym ruchu elektrycznym.



Bent u tevreden? Indien u in uw huis nog een nieuwe automatiseringsinstallatie zou willen, kunt u zich, wanneer u zich tot dezelfde installateur en Nice wendt, van de adviezen van een specialist en de meest geavanceerde producten op de markt verzekeren. Het resultaat: een automatisering die het best functioneert en een maximale compatibiliteit met de andere automatiseringen heeft.

Wij bedanken u voor het lezen van deze aanbevelingen, en wij hopen dat u veel plezier van uw nieuwe installatie zult hebben: wend u voor elke vraag, nu of in de toekomst, vol vertrouwen tot uw installateur.

Aanbevelingen

Deze handleiding bevat belangrijke informatie voor de veiligheid van mensen. Alvorens u met de installatie gaat beginnen, dient u alle in deze handleiding vervatte informatie te lezen. Bewaar deze handleiding ook voor later gebruik. Met het oog op gevaarlijke situaties die zich tijdens de installatie en het gebruik van METRO kunnen voordoen, moeten ook tijdens de installatie de wetten, voorschriften en regels volledig in acht genomen worden. In dit hoofdstuk zullen algemene aanbevelingen gegeven worden; andere belangrijke aanbevelingen vindt u in de hoofdstukken “2.1 Controles vooraf”; “5 Opleveringstest en inbedrijfstelling”.

Volgens de meest recente Europese wetgeving valt het aanleggen van een automatische deur of poort onder wat voorzien is in de Europese Richtlijn 98/37/EG (Richtlijn Machines) en met name onder de voorschriften: EN 12445; EN 12453 en EN 12635, waardoor het mogelijk is de vermoedelijke conformiteit te verklaren.

Verdere inlichtingen, richtlijnen ten aanzien van risico's en het samenstellen van het technisch dossier zijn beschikbaar op: “www.niceforyou.com”.

- Deze handleiding is uitsluitend bestemd voor technisch personeel dat voor de installatie gekwalificeerd is. Behalve de specifieke los te halen bijlage welke de installateur dient te verzorgen, namelijk “Aanwijzingen en aanbevelingen bestemd voor de gebruiker van de reductiemotor METRO” kan andere informatie die in dit dossier is vervat, niet als interessant voor de eindgebruiker worden beschouwd!
- Ieder ander gebruik van METRO dat niet in deze aanwijzingen voorzien is, is verboden; oneigenlijk gebruik kan gevaar opleveren of letsel en schade aan mensen en zaken veroorzaken.
- Voordat u met de installatie begint dient u een analyse van de risico's te maken waarvan de lijst van essentiële veiligheidseisen zoals die in Bijlage I van de Richtlijn Machines zijn voorzien, deel uitmaakt; hierin geeft u de toegepaste oplossingen aan.

Wij maken u erop attent dat de risicoanalyse één van de documenten is die deel uitmaken van het “technisch dossier” van de automatisering.

- Controleer of er verdere inrichtingen nodig zijn om de automatisering met METRO op basis van de specifieke toepassingssituatie en aanwezige gevaren te completeren; u dient daarbij bijvoorbeeld risico's op het gebied van botsen, beknelling, scharen, etc. en andere algemene gevaren in acht te nemen.
- Breng geen wijzigingen aan onderdelen aan, indien dit niet in deze handleiding is voorzien. Dergelijke handelingen kunnen alleen maar storingen veroorzaken. NICE wijst elke aansprakelijkheid voor schade tengevolge van gewijzigde artikelen van de hand.
- Zorg ervoor dat er tijdens het installeren niets, ook geen vloeistof, in de besturings-eenheid of andere open inrichting kan komen; neem eventueel contact op met het technisch servicecentrum van NICE; het gebruik van METRO in deze situaties kan een gevaarlijke situatie doen ontstaan.
- Het automatische mag niet gebruikt worden voordat de inbedrijfstelling heeft plaats gevonden zoals dat in hoofdstuk: “5 Opleveringstest en inbedrijfstelling” is aangegeven.
- De afvalverwerking van het verpakkingsmateriaal van METRO moet geheel en al volgens de plaatselijk geldende regels plaats vinden.
- Indien er zich een storing voordoet die u niet kunt oplossen onder gebruikmaking van de in deze handleiding vervatte informatie gelieve u contact op te nemen met de technische servicedienst van NICE.
- Wanneer er een automatische schakelaar of zekering in werking is getreden, dient u alvorens die terug te stellen, de storing op te zoeken en die te verhelpen.
- **Voordat u de aansluitklemmetjes van METRO aanraakt, dient u alle circuits van stroomtoevoer los te koppelen;** indien dit niet te zien is, dient u een bord aan te brengen met de tekst: “LET OP ONDERHOUDSWERKZAAMHEDEN IN UITVOERING”.

1) Beschrijving van het product

METRO is een reductiemotor bestemd voor het automatiseren van een draaipoort met één of twee vleugels.

⚠ Elke toepassing die afwijkt van wat hierboven beschreven is of plaatsvindt onder andere omstandigheden dan in deze handleiding voorzien is, is verboden.

METRO werkt op elektrische energie; in geval van stroomuitval kan de reductiemotor met speciale sleutels ontgrendeld worden en kunnen de vleugels handmatig verplaatst worden.

2) Installatie

2.1) Controles vooraf

Alvorens met de installatie te beginnen dient u te verifiëren of de structuur daarvoor geschikt is, met andere woorden conform de geldende voorschriften.

Verifieer met name de volgende zaken:

- de poort vertoont geen punten waar wrijving bestaat, noch bij sluiting noch bij opening;
- de poort is goed uitgebalanceerd is, d.w.z. de poort komt niet in beweging wanneer die op een willekeurige plaats tot stilstand is gebracht;
- de poort loopt soepel en regelmatig;

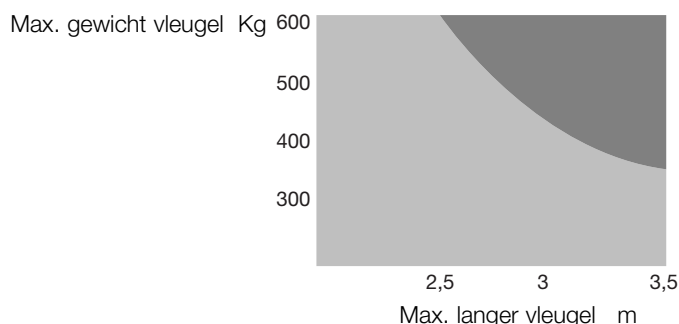
- de plaats van bevestiging voor de reductiemotor is gemakkelijk en veilig toegankelijk om de motor met de hand te bedienen;
- de verpakking is intact;
- controleer of de plaats van bevestiging met de buitenafmetingen van de kist (**afb. 1**) overeen komt
- zorg voor een stop bij sluiting en zo mogelijk ook bij opening.

⚠ Denk eraan dat METRO een poort (met één of twee vleugels) automatiseert die zelf goed moet werken en veilig is, maar dat METRO geen defecten opheft, die het gevolg zijn van een verkeerd uitgevoerde installatie of van slecht onderhoud.

2.2) Toepassingslimieten

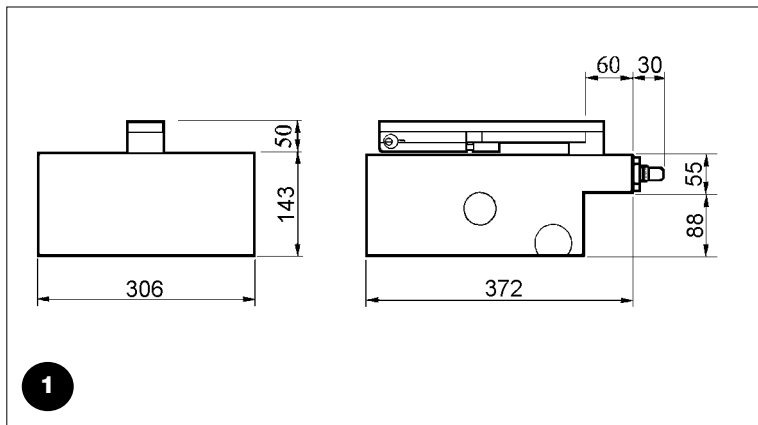
Als gevolg van de vorm en de hoogte van de poort (b.v. een dichte poort) of bepaalde weersomstandigheden (bijvoorbeeld de aanwezigheid van sterke wind), kunnen de waarden in de grafiek hiernaast aanzienlijk lager komen te liggen.

* Indien elke afzonderlijke vleugel van de poort langer dan 2,5 m is, verdient het aanbeveling een elektrische slot (PLA10 of PLA11) te monteren.

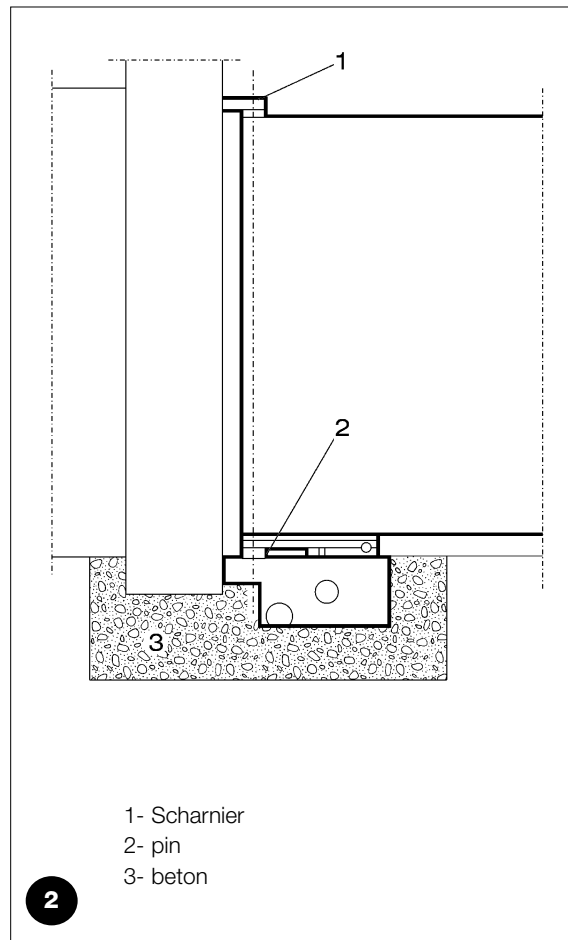


3) Bevestiging

3.1) Afmetingen in beslag genomen ruimte en positionering van de funderingskist

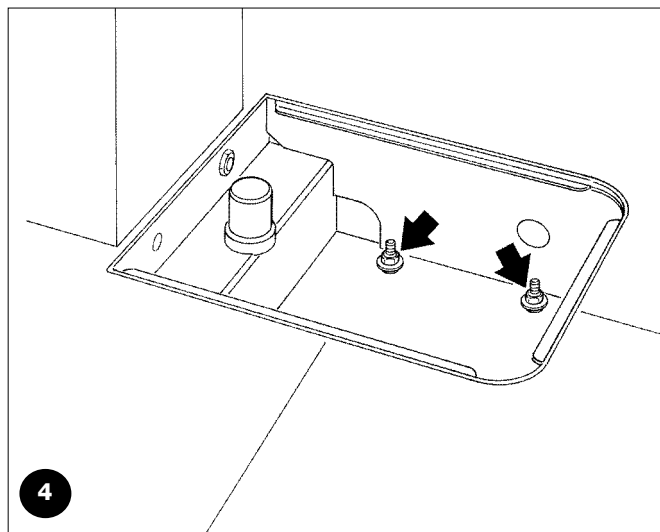
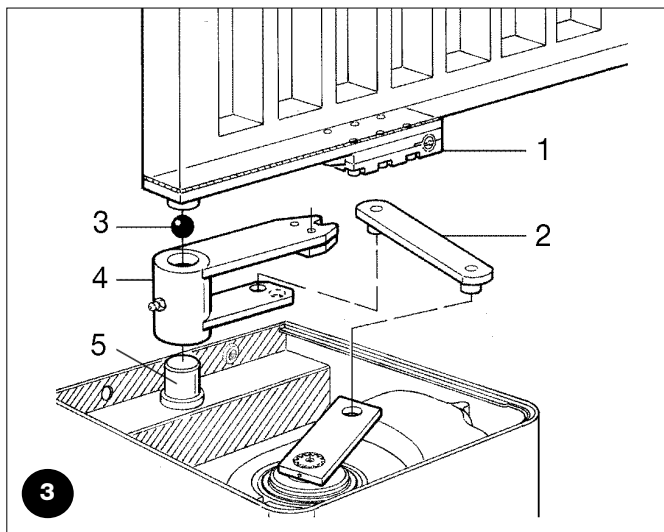


1. Maak op grond van de benodigde ruimte een funderingsput, waarbij u voor een goede drainage dient te zorgen, zodat het water niet kan blijven staan.
2. Bevestig het accessoire voor de eindschakelaar bij opening aan de kist (zie paragraaf 4) waarbij u de aanwijzingen zoals op de afbeelding te zien is nauwkeurig opvolgt teneinde een verkeerde montage te voorkomen.
3. Plaats de kist in de gegraven kuil waarbij de pin op één lijn staat met de as van het scharnier (**afb. 2**)
4. Breng een leiding voor de elektriciteitskabels aan en één voor drainage.
5. Stort het cement over de funderingskist waarbij u ervoor dient te zorgen dat deze waterpas en op de goede hoogte staat.
6. Plaats de o Aansturingsbeugel op de pin van de kist en zorg ervoor de meegeleverde kogel ertussen aan te brengen.
7. Laat de vleugel van het hek op de ontgrendelingshendel rusten en soldeer die goed vast.
8. Smeer via de daartoe bestemde smeropening.



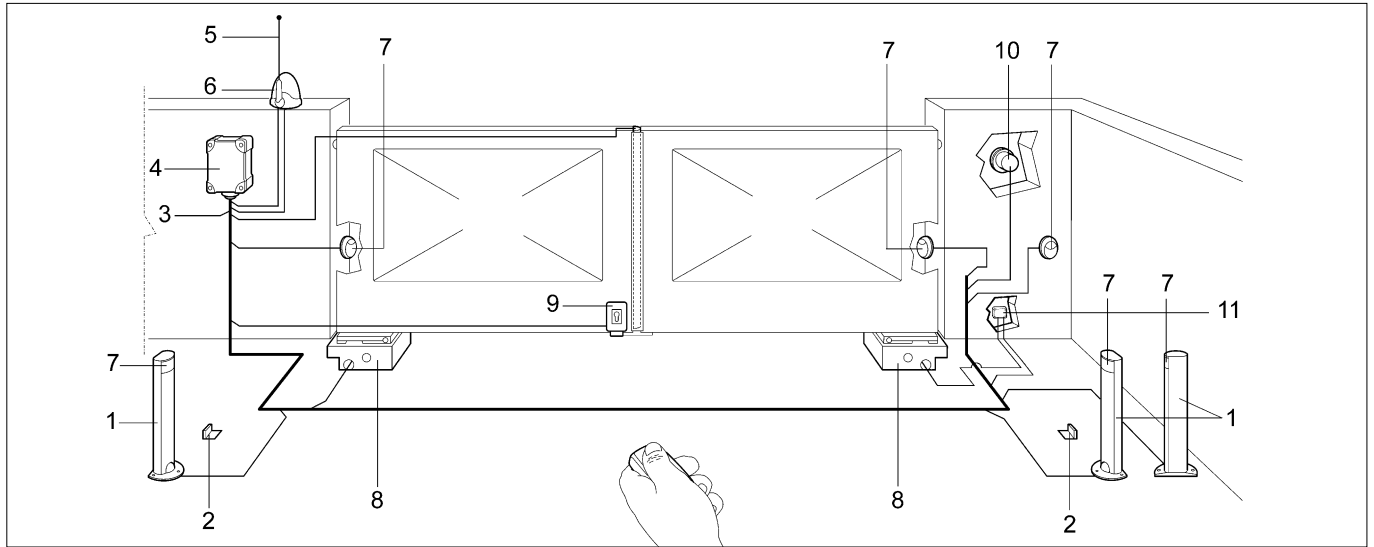
3.2) Installatie van de reductiemotor METRO

1. Verwijder de moeren en borgringen, welke op de afbeelding rechts aangegeven zijn (**afb 4**).
2. Plaats de reductiemotor in de funderingskist en zorg ervoor dat die in de goede richting aangebracht is.
3. Bevestig de beugel voor de eindaanslag bij sluiting in de daarvoor bestemde opening (**paragraaf 4**)
4. Zet de reductiemotor vast met de borgringen grower en de 4 zelfblokkerende moeren die u in de doos met accessoires vindt.
5. Bevestig de reductiemotor met de bevestigingshendel (2) aan de poort (**afb. 3**).



- 1 Ontgrendelingshendel
- 2 Bevestigingshendel
- 3 Kogel
- 4 Aansturingsbeugel
- 5 Pin

3.3) Voorbeeld van een installatie



- | | | |
|--|------------------------------|--|
| 1 Zuiltje voor fotocel | 5 Antenne | 9 Verticaal elektrisch slot |
| 2 Stel stops bij opening | 6 Knipperlicht | 10 Sleutelschakelaar of codeschakelaar |
| 3 Leiding 230V | 7 Fotocel | 11 Aftakdoos (niet meegeleverd) |
| 4 Bedieningspaneel (elektrische besturingseenheid) | 8 Kist met aandrijving METRO | |

3.4) Elektrische aansluitingen

Sluit voor de ME3000 en ME3010 de kabels als volgt aan:

Zwart = Fase "open"
 Bruin = Fase "sluit"
 Grijs = Gemeenschappelijk
 Groengeel = ⊕

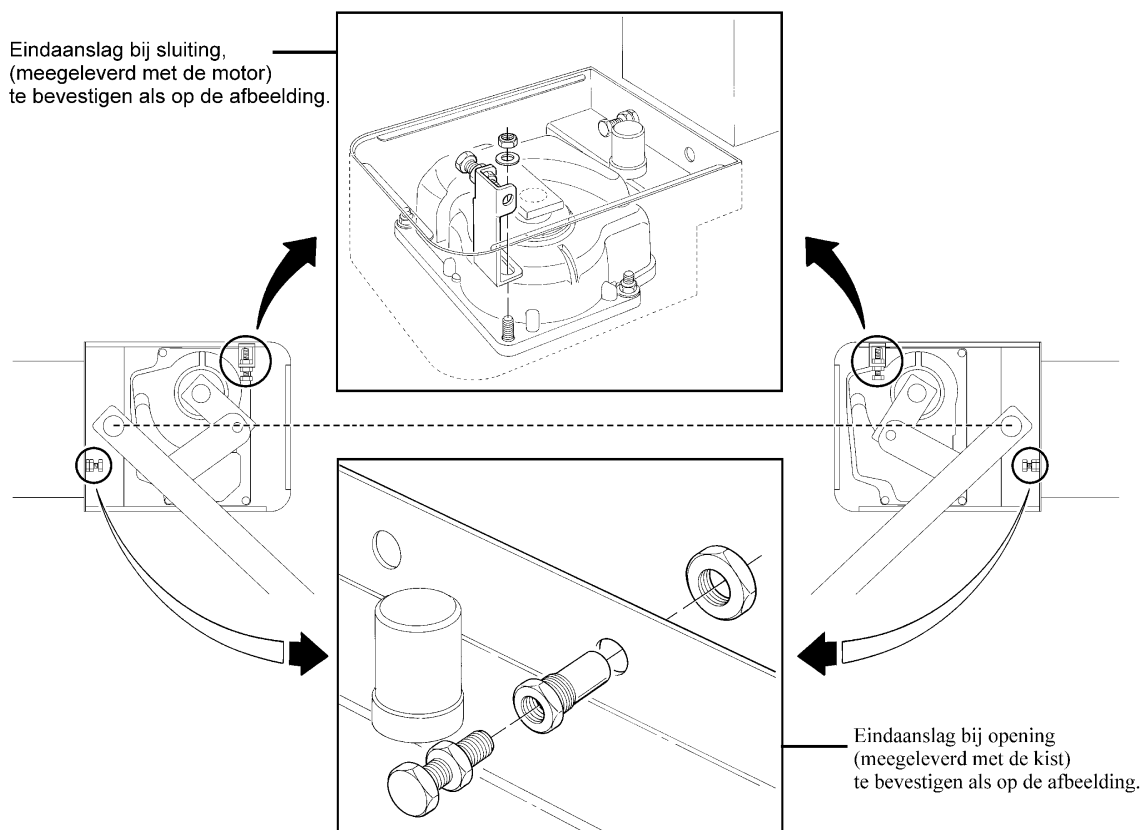
Sluit voor de ME3024 de kabels als volgt aan:

Blauw = Stroomvoorziening motor
 Bruin = Stroomvoorziening motor
 Zwart = Encoder
 Grijs = Encoder
 Groen-geel = ⊕

⚠ De motoren beschikken over een kabel met een lengte van 2 meter.

HET IS VERBODEN verbindingen binnen in de kist uit te voeren; gebruik voor eventuele verbindingen uitsluitend de speciale aftakdoos (niet meegeleverd), teneinde de veiligheid van de installatie te bewaren.

4) Bevestig de eindaanslag



5) Opleveringstest en inbedrijfstelling

De opleveringstest van de gehele installatie dient door vakbekwaam en deskundig personeel uitgevoerd te worden dat ook moet bepalen welke tests er op basis van de aanwezige risico's nodig zijn.

Voor de opleveringstest van METRO dient u als volgt te werk te gaan:

- sluit de poort;
- onderbreek de stroomtoevoer naar de besturingseenheid;
- ontgrendel de reductiemotor van de vleugel zoals dat is aangegeven in de paragraaf "Ontgrendeling met de hand (ontgrendeling met een sleutel en met een hendel)" in het hoofdstuk "Aanwijzingen en aanbevelingen bestemd voor de gebruiker van de reductiemotor METRO".
- zet de poort handmatig helemaal open;
- controleer dat de poort tijdens de manoeuvre nergens wrijving ondergaat;
- controleer dat de poort niet in beweging komt wanneer deze op een

- op een willekeurige plaats tot stilstand is gebracht en ontgrendeld is;
- controleer of de veiligheidssystemen en de mechanische stops in goede staat verkeren;
- controleer of de met schroeven tot stand gekomen bevestigingen goed zijn aangedraaid;
- maak de binnenkant van de kist goed schoon en controleer of de waterafvoer correct werkt;
- vergrendel na afloop van deze controles weer de reductiemotor en zet de besturingseenheid weer onder spanning;
- METRO heeft geen inrichtingen om het koppel af te stellen, daarom is deze afstelling de taak van de besturingseenheid;
- meet de stootkracht, zoals dat voorzien is in de normen EN12453 en EN12445.

6) Onderhoud

METRO vereist geen bijzonder onderhoud, maar een geprogrammeerde controle tenminste eens in het half jaar verzekert u ervan dat de reductiemotor langer mee zal gaan en dat het systeem correct en veilig zal werken.

Het onderhoud bestaat simpelweg uit het uitvoeren van de procedure met betrekking tot de opleveringstest.

6.1) Afvalverwerking

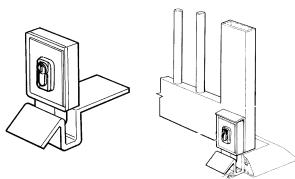
METRO bestaat uit verschillende soorten materiaal en wanneer u zich hiervan wilt ontdoen dient u de in uw land van kracht zijnde voorschriften te volgen.

In geval van sloop van de automatisering bestaan er geen bijzondere

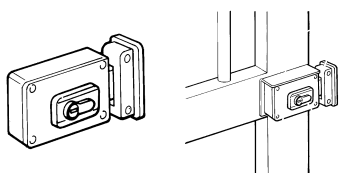
gevaars of risico's die van de automatisering zelf afkomstig zijn. Het is raadzaam indien u tot gescheiden afvalinzameling dient over te gaan, dat de materialen per soort gescheiden worden (elektrische onderdelen, aluminium, kunststof, etc.).

7) Op bestelling leverbare accessoires

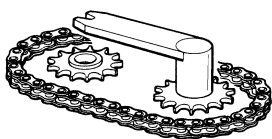
PLA10 Verticaal 12 Vca-elektrisch slot



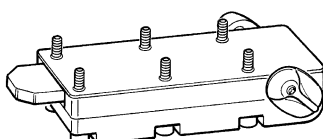
PLA11 Horizontaal 12 Vca-elektrisch slot



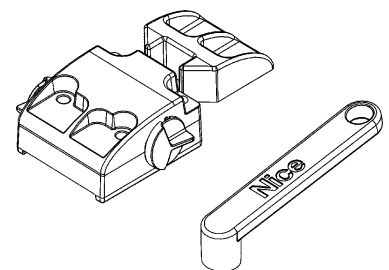
MEA1 Inrichting voor opening op 360°



MEA2 Ontgrendeling met slot



MEA3 Ontgrendeling met speciale hendel



8) Technische gegevens

Teneinde haar producten steeds meer te perfectioneren behoudt NICE S.p.a. zich het recht voor op elk gewenst moment en zonder voorbericht wijzigingen in haar producten aan te brengen, waarbij functionaliteit en gebruiksbestemming echter gehandhaafd blijven.

N.B.: alle technische gegevens hebben betrekking op een omgevingstemperatuur van 20°C (±5%)

Modellen en gegevens

	Meeteenheid	ME3000	ME3010	ME3000L	ME3000/110	ME3024
Stroomvoorziening	(Vac-Hz)	230V-50Hz	230V-50Hz	230V-50Hz	110V-60Hz	
	(Vdc)					24
Opgenomen stroom	(A)	1,2	1,2	1,3	2,4	5
Opgenomen vermogen	(W)	250	250	300	250	120
Ingebouwde condensator	(uF)	10	10	10	30	
Beschermingsklasse	(IP)	67	67	67	67	67
Snelheid	(tpm)	1,14	1,14	0,8	1,4	1,4
Koppel	(Nm)	300	300	250	300	250
Bedrijfstemperatuur	(°C min/max)	-20° ÷ +50°	-20° ÷ +50°	-20° ÷ +50°	-20° ÷ +50°	-20° ÷ +50°
Oververhittingsbeveiliging	(°C)	140°	140°	140°	140°	
Werkingscyclus	(%)	30	40	30	30	80
Gewicht	(kg)	11	11,5	11	11	11

Proficiat met de keuze van een product Nice voor uw automatisering!

Nice S.p.a. produceert componenten voor het automatiseren van poorten, deuren, rolpoorten, rolluiken en zonwering: reductiemotors, besturingseenheden, afstandsbedieningen, waarschuwingslichten, fotocellen en accessoires.

Nice gebruikt uitsluitend kwaliteitsmateriaal en -bewerkingen, en geroepen als zij zich voelt, zoekt ze naar vernieuwende oplossingen die haar apparaten - verzorgd in de technische esthetische en ergonomische aspecten - zo gebruiksvriendelijk mogelijk maakt: in het uitgebreide programma van Nice zal uw installateur ongetwijfeld dat product uitgekozen hebben dat het meest aan uw eisen beantwoordt.

Nice is echter niet de fabrikant van uw automatiseringsinstallatie, die daarentegen het resultaat is van analyse, evaluatie, keuze van materialen, en het aanleggen daarvan door uw vertrouwensinstallateur.

Elke automatisering is uniek en alleen uw installateur bezit de ervaring en het vakmanschap dat nodig is om een installatie volgens uw verlangens uit te voeren, veilig en betrouwbaar in de tijd, en vooral volgens de regelen der kunst, dat wil zeggen conform de geldende voorschriften. Een automatiseringsinstallatie is een groot gemak, een waardevol veiligheidssysteem en kan met een beetje aandacht tot in lengte van dagen duren.

Ook al beantwoordt de automatisering in uw bezit aan het in normen en wetten voorgeschreven veiligheidsniveau, dit sluit niet uit dat er een "restrisico" bestaat, dat wil zeggen de mogelijkheid dat er gevaarlijke situaties kunnen ontstaan, die gewoonlijk te wijten zijn aan onverantwoordelijk of zelfs verkeerd gebruik; hierom willen wij u enige adviezen geven hoe u met de automatisering dient om te gaan teneinde elk eventueel probleem te voorkomen:

• **Voordat u de automatisering voor de eerste maal gaat gebruiken**, is het raadzaam u door de installateur te laten uitleggen waar de restrisico's ontstaan, en enkele minuten van uw tijd te besteden aan het lezen van deze handleiding met aanwijzingen en **aanbevelingen voor de gebruiker** die de installateur u overhandigd heeft. Bewaar deze handleiding voor eventuele toekomstige twijfels en geef haar aan een eventuele nieuwe eigenaar van de automatisering.

• **Uw automatisering is een machine die getrouwelijk uw instructies opvolgt;** onverantwoordelijk en oneigenlijk gebruik kan maken dat het een gevaarlijke machine wordt: laat de automatisering niet werken als er zich mensen, dieren of zaken binnen haar bereik bevinden.

• **Kinderen:** een automatiseringsinstallatie biedt een hoge graad van veiligheid, doordat ze met haar beveiligingsystemen de manoeuvre bij aanwezigheid van mensen of zaken onderbreekt en altijd een voorspelbare en veilige activering garandeert. Het is in ieder geval verstandig kinderen te verbieden in de buurt van de installatie te spelen en de afstandsbedieningen buiten hun bereik te houden om te voorkomen dat de installatie per ongeluk in werking komt: **het is geen speelgoed!**

• **Storingen:** Zodra u constateert dat de automatiseringsinstallatie niet werkt zoals ze dat zou moeten doen, dient u de stroomtoevoer naar de installatie te onderbreken en haar handmatig te ontgrendelen. Probeer niet zelf te repareren, maar roep de hulp van uw vertrouwensinstallateur in: intussen kan de installatie werken als een niet geautomatiseerde toegang, wanneer u de reductiemotor op de hieronder beschreven manier ontgrendeld hebt.

• **Onderhoud:** Zoals elke machine heeft uw installatie periodiek onderhoud nodig om haar zo lang mogelijk en geheel veilig te laten werken. Stel met uw installateur een onderhoudsplan met periodieke frequentie op; Nice raadt bij normaal gebruik bij een woning een onderhoudsbezoek om het half jaar aan, maar dit tijdsbestek kan variëren in functie van een meer of minder intensief gebruik. Alle controle-, onderhouds- of reparatiewerkzaamheden mogen uitsluitend door gekwalificeerd personeel worden uitgevoerd.

• Ook al bent u van mening dit te kunnen doen, breng geen wijzigingen aan de installatie en de programmerings- en afstellingsparameters van uw automatiseringsinstallatie aan: uw installateur is aansprakelijk.

• De opleveringstest, de periodieke onderhoudswerkzaamheden en de eventuele reparatiewerkzaamheden dienen gedocumenteerd te worden door wie die uitvoert en de documenten dienen door de eigenaar van de installatie bewaard te worden.

• **Afvalverwerking:** Als de automatisering niet meer gebruikt kan worden, dient u zich ervan te vergewissen dat de sloop daarvan door gekwalificeerd personeel wordt uitgevoerd en dat het materiaal volgens de plaatselijk geldende voorschriften wordt hergebruikt of naar de afvalverwerking wordt gezonden.

• **In geval van defecten of stroomuitval:** in afwachting van het bezoek van uw installateur, (of het terugkeren van de elektrische stroom als de installatie niet van bufferbatterijen voorzien is), mag de installatie gebruikt worden als elke andere niet-geautomatiseerde toegang. Hiertoe dient u de automatisering handmatig te ontgrendelen: aan deze handeling, die de enige is die de gebruiker van de automatisering mag uitvoeren, heeft Nice bijzonder veel aandacht besteed om u altijd een maximum aan gebruiksvriendelijkheid te garanderen, zonder dat u gereedschap moet gebruiken of fysieke kracht moet aanwenden.

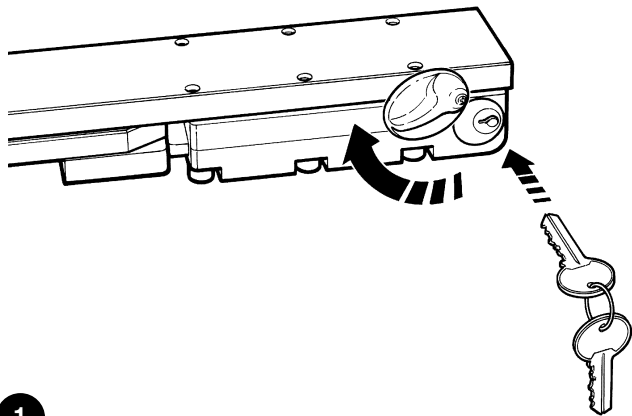
Handbediende manoeuvre (ontgrendeling met sleutel en met hendel)

Er moet een handmatige manoeuvre uitgevoerd worden in geval van stroomuitval of in geval van storingen in de installatie.

Ontgrendeling met SLEUTEL type MEA2 (afb. 1)

- Haal het afdekplaatje van het slot naar beneden zoals dat op de afbeelding te zien is.
- Steek de sleutel erin en draai deze met de wijzers van de klok 90° om.
- Beweeg de vleugel handmatig (afb.3).

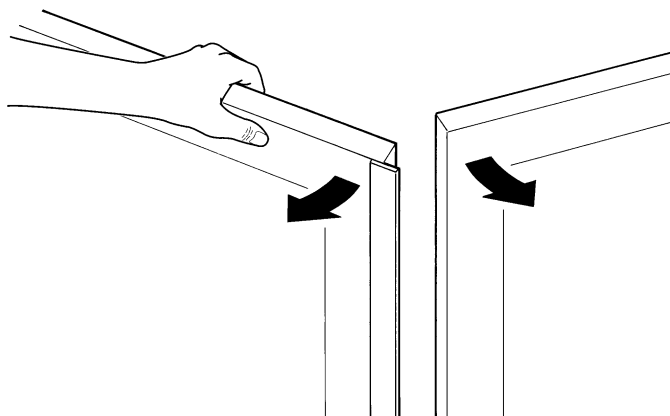
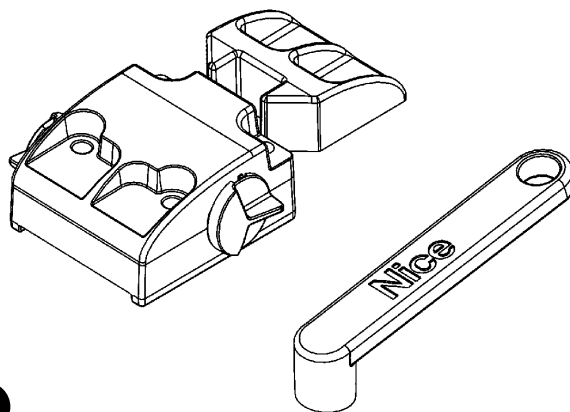
⚠ Automatische werking zal bij de eerste elektrische manoeuvre plaats vinden.



Ontgrendeling met hendel type MEA3 (afb. 2)

- Haal het afdekplaatje van het slot naar beneden zoals dat op de afbeelding te zien is.
- Steek de hendel erin en draai deze met de wijzers van de klok 90° om.
- Beweeg de vleugel handmatig (afb.3).

⚠ Automatische werking zal bij de eerste elektrische manoeuvre plaats vinden.



Bent u tevreden? Indien u in uw huis nog een nieuwe automatiseringsinstallatie zou willen, kunt u zich, wanneer u zich tot dezelfde installateur en Nice wendt, van de adviezen van een specialist en de meest geavanceerde producten op de markt verzekeren. Het resultaat: een automatisering die het best functioneert en een maximale compatibiliteit met de andere automatiseringen heeft.

Wij bedanken u voor het lezen van deze aanbevelingen, en wij hopen dat u veel plezier van uw nieuwe installatie zult hebben: wend u voor elke vraag, nu of in de toekomst, vol vertrouwen tot uw installateur.

Dichiarazione di conformità Declaration of Conformity

Dichiarazione CE di conformità secondo Direttiva 98/37/CE, Allegato II, parte B (dichiarazione CE di conformità del fabbricante)
according to Directive 98/37/EC, Annex II, part B (CE declaration of conformity by manufacturer)

Numero 134/ME Revisione: 4
Number Revision

Il sottoscritto Lauro Buoro in qualità di Amministratore Delegato, dichiara sotto la propria responsabilità che il prodotto
The undersigned Lauro Buoro, managing director, declares under his sole responsibility that the following product:

Nome produttore: NICE s.p.a.
Manufacturer's name

Indirizzo Via Pezza Alta 13, 31046 Z.I. Rustignè, Oderzo (TV) Italia
Address

Tipo Attuatore elettromeccanico "METRO" per cancelli a battenti
Type Electromechanical gearmotor for swing gates

Modello ME3024, ME3000, ME3000L, ME3000/110, ME3010
Model

Accessori: MEA1, MEA2, MEA3, PLA10, PLA11
Accessories

Risulta conforme a quanto previsto dalle seguenti direttive comunitarie:
Satisfies the essential requirements of the following Directives

98/37/CE (ex 89/392/CEE) DIRETTIVA 98/37/CE DEL PARLAMENTO EUROPEO E DEL CONSIGLIO del 22 giugno 1998 concernente il ravvicinamento delle legislazioni degli Stati membri relative alle macchine
DIRECTIVE 98/37/CE COUNCIL of June 22, 1998, for the harmonisation of the legislations of member States regarding machines

Come previsto dalla direttiva 98/37/CE si avverte che non è consentita la messa in servizio del prodotto sopra indicato finché la macchina, in cui il prodotto è incorporato, non sia stata identificata e dichiarata conforme alla direttiva 98/37/CE.
As specified in the directive 98/37/CEE use of the product specified above is not admitted until the machine on which it is mounted has been identified and declared as conforming to the directive 98/37/CEE.

Inoltre il prodotto risulta conforme a quanto previsto dalle seguenti direttive comunitarie, così come modificate dalla Direttiva 93/68/CEE del consiglio del 22 Luglio 1993:
Furthermore, the product complies with the specifications of the following EC directives, as amended by the directive 93/68/CEE of the Euro-pean Council of 22 July 1993:

73/23/CEE DIRETTIVA 73/23/CEE DEL CONSIGLIO del 19 febbraio 1973 concernente il riavvicinamento delle legislazioni degli Stati membri relative al materiale elettrico destinato ad essere adoperato entro taluni limiti di tensione
73/23/ EEC DIRECTIVE 73/23/EEC OF THE COUNCIL of February 19, 1973 for the harmonisation of the legislations of member States regarding electrical equipment designed to be used within certain voltage limits

89/336/CEE DIRETTIVA 89/336/CEE DEL CONSIGLIO del 3 maggio 1989, per il riavvicinamento delle legislazioni degli Stati membri relative alla compatibilità elettromagnetica
89/336/ EEC DIRECTIVE 89/336/EEC OF THE COUNCIL of May 3, 1989, for the harmonisation of the legislations of member States regarding electromagnetic compatibility

Oderzo, 3 settembre 2004
Oderzo, 3 september 2004


Amministratore Delegato
Managing Director
Lauro Buoro



Nice

Headquarter**Nice SpA**

Oderzo TV Italia
Tel. +39.0422.85.38.38
Fax +39.0422.85.35.85
info@niceforyou.com

Nice in Italy**Nice Padova**

Sarmeola di Rubano PD Italia
Tel. +39.049.89.78.93.2
Fax +39.049.89.73.85.2
infopd@niceforyou.com

Nice Roma

Roma Italia
Tel. +39.06.72.67.17.61
Fax +39.06.72.67.55.20
inforoma@niceforyou.com

Nice worldwide**Nice France**

Buchelay
Tel. +33.(0)1.30.33.95.95
Fax +33.(0)1.30.33.95.96
info@fr.niceforyou.com

Nice Rhône-Alpes

Decines Charpieu France
Tel. +33.(0)4.78.26.56.53
Fax +33.(0)4.78.26.57.53
info@fr.niceforyou.com

Nice France Sud

Aubagne France
Tel. +33.(0)4.42.62.42.52
Fax +33.(0)4.42.62.42.50
infomarseille@fr.niceforyou.com

Nice Belgium

Leuven (Heverlee)
Tel. +32.(0)16.38.69.00
Fax +32.(0)16.38.69.01
info@be.niceforyou.com

Nice España Madrid

Tel. +34.9.16.16.33.00
Fax +34.9.16.16.30.10
info@es.niceforyou.com

Nice España Barcelona

Tel. +34.9.35.88.34.32
Fax +34.9.35.88.42.49
info@es.niceforyou.com

Nice Polska

Pruszków
Tel. +48.22.728.33.22
Fax +48.22.728.25.10
info@pl.niceforyou.com

Nice UK

Chesterfield
Tel. +44.87.07.55.30.10
Fax +44.87.07.55.30.11
info@uk.niceforyou.com

Nice Turkey

Istanbul
info@tr.niceforyou.com

Nice Romania

Cluj Napoca
Tel/Fax +40.264.45.31.27
info@ro.niceforyou.com

Nice Deutschland

Gelnhausen-Hailer
Tel. +49.60.51.91.52-0
Fax +49.60.51.91.52-119
info@de.niceforyou.com

Nice China

Shanghai
Tel. +86.21.575.701.46
+86.21.575.701.45
Fax +86.21.575.701.44
info@cn.niceforyou.com

Nice USA Inc.

Jacksonville, Fl.
Tel. +001.904.786.7133
Fax +001.904.786.7640
info@us.niceforyou.com